

BONENG



0.25kW~3kW

C斜齿齿轮马达变频驱动一体机

C Helical Gearmotor
Variable
Frequency Drive
All-in-one

Edit date 04/2023
Selection Catalogue: C05.0053-CN/EN

Boneng Transmission



控制器/驱动器/马达/
齿轮马达/齿轮箱

Controller/ Drive/ Motor/
Gearmotor/ Gearbox

选型注意事项:

- ◆ 结构示意图、外形图及其他附图只属范例，无严格比例要求。（未注尺寸单位均为mm）。
- ◆ 所注重量仅为平均值，并不具有约束力。
- ◆ 注油量只作为参考值，实际注油量应以油镜上的标记为准。

⚠ 使用注意事项

- ◆ 为防止意外事故发生，所有旋转部件均按照使用者所在国家和地区的安全规范由购置方加罩保护。
- ◆ 试车之前必须认真阅读使用说明书。
- ◆ 齿轮马达在供货时已处于准运行状态，运行前需加注润滑油。
- ◆ 齿轮马达应由熟悉相关安全要求的专业人员安装；安装时必须有安全装置以防止事故发生，安装位置必须符合规定。

Note:

- ◆ The structure scheme, appearance diagram and other attached diagrams in sample are examples, there is no strict proportion requirement. (The unmarked dimension units are mm).
- ◆ The marked weight is average value, it has no constraint force.
- ◆ The marked oil quantity in sample is only reference value, actual oil filling quantity should be the same with the mark on oil immersion lens.

⚠ You must confirm to the following instructions

- ◆ To prevent accidents, all the rotation parts are added with protective covers according to the safety regulations of the nation and region.
- ◆ Before debugging, you should carefully read instruction book.
- ◆ Gearmotor is on running-permission status when delivered, you should add lubrication oil before putting it into running.
- ◆ The gearmotor should be installed by technical staffs who could be familiar with corresponding security requirements. Security device should be required for preventing from accidents while installation position must be satisfied with regulations.

目录

Contents

01.概述	01	01.Overview	01
02.产品特性	01	02.Characteristics	01
03.优势特点	04	03.Advantages	04
04.型号表示方法	05	04.Type Designation	05
05.传动能力表	07	05.Transmission Capacity	07
06.外形尺寸图	15	06.Dimensions	15
07.允许的输出轴径向力表	27	07.Permissible Radial Force of Output Shaft	27
08.轴端中心孔尺寸	28	08.Dimensions of Shaft End Centre Hole	28
09.平键与键槽的尺寸	29	09.Dimension of Parallel Key and Keyway	29
10.可选附件和指定配置	30	10.Accessories and Specific Configuration	30
11.润滑油	31	11.Oil	31
12.重量表	31	12.Weight	31

1.概述

齿轮马达变频驱动一体机是基于分布式应用的齿轮马达、驱动器一体式产品，搭配全封闭自扇冷却三相交流异步马达，设计生产符合ISO、IEC、GB等相关标准的要求。适用于连续工作制(S1)、恒转速或一定速度范围内的变频调速应用，同时也满足大部分断续工作方式(S2-S10)。

该一体机系统专门针对输送带、分拣系统、行李和货物运输系统、仓库和配送物流、邮件分拣以及包裹配送等应用中的节能和成本效益水平运动进行了优化。可广泛应用于多机水平输送等行业，以及对防护等级有较高要求的电气传动场合。

2.产品特性

2.1.技术特性

- ◆ 颜色：银色RAL9006
- ◆ 马达额定功率：0.25kW~3kW；
- ◆ 马达极数：4；
- ◆ 马达效率：达到GB18613-2020标准能效等级3级，且满足IEC 60034-30标准中的IE2和IE3效率等级；
- ◆ 马达防护等级：防护等级为IP55；
- ◆ 马达绝缘等级：绝缘系统按155°C (F) 温度等级设计，按130°C (B) 温度等级考核；
- ◆ 马达冷却方式：马达标准冷却方式为IC411自扇冷却。
- ◆ 支持SVC(开环矢量)控制、VF控制
- ◆ 可实现速度控制与转矩控制
- ◆ 支持Modbus通讯、EtherCAT通讯
- ◆ 支持本地上位机连接

2.2.运行环境

- ◆ 高度不超过海拔1000m；
- ◆ 允许的环境温度在-20°C ~ 40°C；
- ◆ 所允许的相对湿度：
 - 20°C ≤ T ≤ 20°C：100%
 - 20°C < T ≤ 30°C：95%
 - 30°C < T ≤ 40°C：55%

1.Overview

Gearmotor variable frequency drive all-in-one is based on distributed application and equipped with totally enclosed fan cooled three-phase asynchronous motor. Its design and production meet the requirements of ISO, IEC, GB and other related standards. The integrated machine is applicable for continuous running duty (S1), constant speed and variable frequency speed control within a specific speed range. Also, it can meet most short-time duty (S2-S10).

The integrated machine system is optimized for energy conservation and cost performance in the field of conveyor belt, automatic sorting systems, baggage and cargo system, warehouse and distribution logistics, mail sorting, parcel delivery and other objects. It is widely used in multi-machine horizontal conveying and other industries, as well as electrical transmission occasions with higher requirements for protection levels.

2.Characteristics

2.1.Technical characteristics

- ◆ Motor color: silver RAL9006;
- ◆ Rated power: 0.25kW~3kW;
- ◆ Poles of motor:4;
- ◆ Motor efficiency: meet Grade 3 according to GB18613-2020 and IE2, IE3 according to IEC 60034-30
- ◆ Degree of protection : IP55
- ◆ Insulation class: the insulation system is designed for temperature class 155°C(F) and checked by temperature class 130°C(B);
- ◆ Cooling method: self-ventilated (IC411) as standard;
- ◆ Support SVC (open-loop vector) control and VF control;
- ◆ Realize speed control;
- ◆ Support Modbus communication and EtherCAT communication;
- ◆ Support local upper computer connection.

2.2.Operating environment

- ◆ Altitude shall not exceed 1000m above seal-level;
- ◆ Allowed temperature between -20°C and 40°C;
- ◆ Permitted relative humidity:
 - 20°C ≤ T ≤ 20°C：100%
 - 20°C ≤ T ≤ 30°C：95%
 - 30°C ≤ T ≤ 40°C：55%

2.3.驱动器规格参数

端口参数	
输出电源	外接24V电源 ● 24VDC±10%, 最大40mA
	外接10V电源 ● +10V-GND, 最大10mA
数字量输入	4通道共COM输入 ● DI0~DI3, 光耦隔离, 支持双向输入
	● 输入电压 12VDC~30VDC
模拟量输入	1通道输入 ● 电压型: DC 0~10V ● 精度1%
LED指示灯	2个双色指示 ● 运行、故障、通信状态指示
通讯端口	RS485通讯 或以太网通讯 ● Modbus RTU 格兰头接口 ● EtherCAT 航空插头
	PC通讯接口 ● RS485通讯, 特制端口 ● 支持PC上位机调试及软件更新

2.3 Drive specification parameters

Port parameters	
Output power supply	External 24V power supply ● 24VDC±10%, max. 40mA
	External 10V power supply ● +10V-GND, max. 10mA
Digital input	4 channels COM input ● DI0~DI3, opto~isolator, support bidirectional input
	● Input voltage: 12VDC~30VDC
Analog input	1 channel input ● Voltage type: DC 0~10V ● Precision: 1%
LED indicator	2 two-color indicator lights ● Indication of running, failure and communication status
Communication port	RS485 communication or EtherCAT communication ● ModBus RTU cable gland port ● EtherCAT aviation plug
	PC communication port ● RS485 communication, Special purpose port
	● Support PC uppercomputer debugging and software update

功率参数 (通用参数)	
输入电压	380...480V 3AC ±10%
输入频率	47...63Hz
输出频率	0...300Hz 50Hz不降容, <50Hz参见降容曲线
载波频率	4kHz (标准)
功率因素	0.95
控制器效率	95...97%
过载能力	1.2倍额定输出电流1min, 1.5倍额定输出电流3sec, 周期10min
电磁兼容	可选符合EN 55011 标准的A级和B级滤波器
防护等级	IP55
工作温度	-20...+40℃不降容, >40...60℃, 参见降容曲线
标准SCCR	10kA
保护功能	● 欠电压
	● 过电压
	● 过载
	● 短路
	● 电机失速保护
	● 电机过载
	● 变频器过温

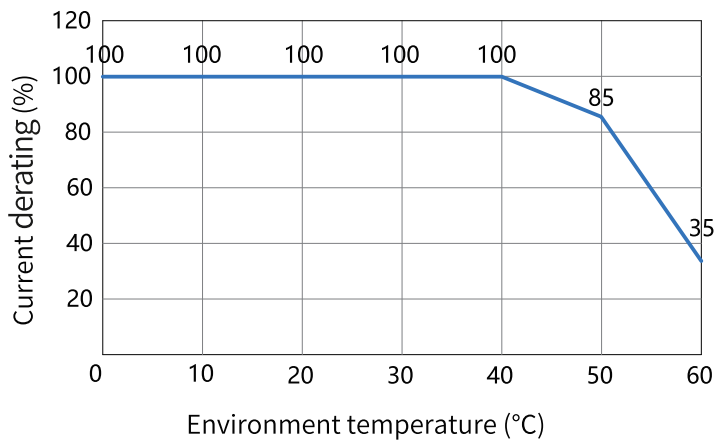
Power parameter (common parameters)	
Input voltage	380~480V, 3AC, ±10%
Input frequency	47~63Hz
Output frequency	0~300Hz (see the derating curve when frequency less than 50Hz)
Carrier frequency	4kHz (standard)
Power factor	0.95
Efficiency of controller	95~97%
Overload capability	1.2 times rated output current for 1min, 1.5 times rated output current for 3 s within a cycle time of 10min
Electromagnetic compatibility	Class A and B filters are available according to EN 55011
Protection grade	IP55
Operating temperature	-20~+40℃: no derating; 40~60℃: see the derating curve
Standard SCCR	10kA
Defensive function	Under voltage
	Over voltage
	Overload
	Short circuit
	Mortor stall protection
	Motor overload
	Inverter over temperature

2.4.驱动器特性曲线

电流降容 · 环境温度

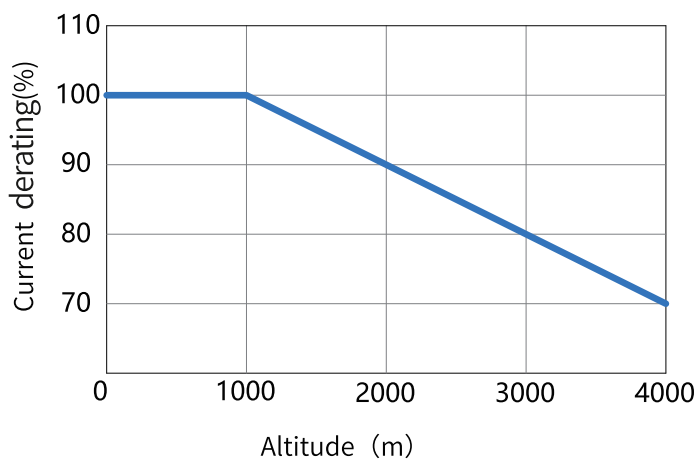
2.4 Drive characteristic curve

Current derating · environment temperature



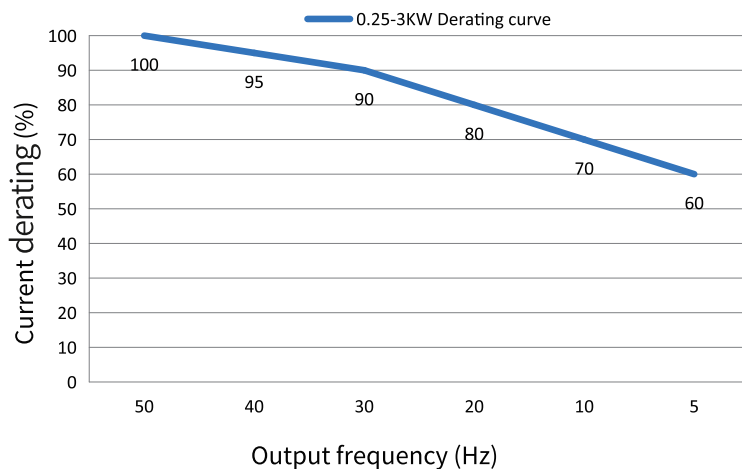
电流降容 · 海拔高度

Current derating · altitude



电流降容 · 输出频率

Current derating · output frequency



3. 优势特点

(1) 用户友好

安装灵活	具备多方向进线、多方位安装，匹配客户环境需求
参数拷贝	调试一台驱动器，通过PC软件拷贝到其他驱动器
参数分组	功能码合理分组，参数简单直观，方便理解
支持Boneng Drivesoft 软件	参数显示及修改，虚拟示波器，已修改参数等功能方便调试
选配电位器	带电位器旋钮，实现无极调速

(2) 品质可靠

高质量电子元件/电容器	使用寿命更长
所有变频器出厂前进行满负荷测试	可靠性高
完善的驱动器保护功能	平均无故障时间长
带涂层线路板，防潮、防腐蚀外壳	适应更恶劣环境

(3) 性能卓越

过程比例积分(PID)控制器	无需外部控制器
自动识别电机模型	发挥电机的全部潜能
随载随速	轻载高速 重载限速 提升工作效率
跟踪启动(跟踪自由旋转的电机)	避免启动冲击
支持参数互联	参数可互联到P组，可实现启停来源，速度来源等选择来自P组参数，极其灵活
支持自由功能块	支持逻辑，算术运算，延时，数据选择，适用特殊工况参数设置

(4) 成本节约

由于无需机柜和长距离机电缆，可以节省成本，且系统设计外观漂亮。

3. Advantages

(1) User-friendliness

Flexible installation	With multi-directional cable entry and multi-direction installation, it meet the customer environmental requirements
Parameter copy	Debug a drive and copy it to another drive using PC software
Grouping of parameters	Function code is grouped reasonably and parameters are simple and intuitive for understanding
Support Boneng Drivesoft software	Parameter display and modification, virtual oscilloscope, modified parameters and other functions are convenient for debugging
Optional potentiometer	Stepless speed regulation is achieved with potential knob to achieve

(2) Reliable quality

High quality electronic components/capacitor	Longer service life
All frequency converters are tested at full load before leaving the factory	high reliability
Complete drive protection function	Longer mean time between failures
Coated circuit board, damp and corrosion proof housing	Adapt to the harsher environment

(3) Superior performance

Process proportional integral controller (PID)	No external controller required
Automatic identification of motor models	Develop the full potential of the motor
Following load and speed	Light load with high speed, heavy load with limited speed, thereby improving work efficiency
Trace startup (track freely spinning motors)	Avoid start-up shocks
Support parameter interconnection	The parameters can be interconnected to the P group and realize the parameter selection from the P group such as the start and stop source, the speed source, etc., which is extremely flexible
Support free function modules	Support logic, arithmetic operation, delay, data selection and special working conditions parameter setting

(4) Cost saving

Without cabinets and long-distance motor cables, costs are saved and the system design looks great.

4.型号表示方法

4.Type Designation

系列名
 传动级数
 2级/3级
 机座号
 安装形式
 H=底脚安装
 F=法兰安装
 S=小法兰安装

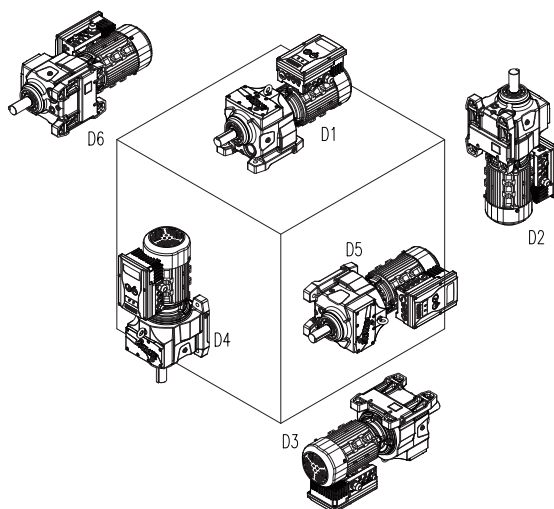
Series
 Stages
 2-stage/3-stage
 Size
 Mounting Mode
 H=Horizontal foot-mounted
 F=Flange-mounted
 S=Short flange-mounted

输出形式
 A=平键实心轴

Output Mode
 A=Unidirectional output shaft

公称减速比代号
 安装方位
 D1/D2/D3/D4/D5/D6

Nominal Ratio Code
 Mounting Positions
 D1/D2/D3/D4/D5/D6



可选附件和指定配置
 0=无可选附件和指定配置
 6=补偿油箱

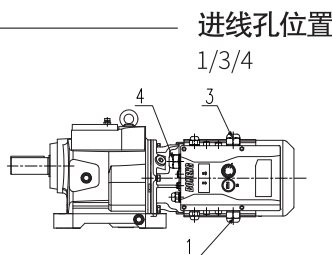
Accessories and Specific Configuration
 0=None
 6=Oil compensating tank

润滑油代号
 0=不加润滑油（不加油出厂时，请选此项）
 1=矿物润滑油VG220（环境温度 $-20^{\circ}\text{C}\sim+40^{\circ}\text{C}$ ，需加油出厂时，请选此项）
 5=合成润滑油VG220（环境温度 $<0^{\circ}\text{C}$ ，需加油出厂时，推荐选用此项）

Oil Code
 0=Without oil filling(Please select this option when you do not need lubricating oil)
 1=With mineral oil VG220(Please select this option when the ambient temperature is $-20^{\circ}\text{C}\sim+40^{\circ}\text{C}$)
 5=With synthetic lubricating oil VG220(It is recommended to select this option when you need lubricating oil and the ambient temperature is below 0°C)

C 3 04 H A - C56 - D1 0 1 -

MH080M4A75 A L 2 - D 0 EC 0 - 0 1 1

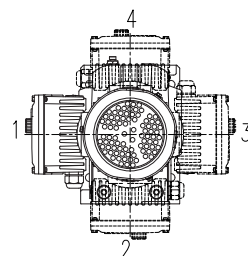


进线孔位置

1/3/4

Cable entry location

1/3/4



接线盒位置

1/2/3/4

Terminal box location

1/2/3/4

马达安装方位 0

Motor mounting position 0

一体机防护等级

0=IP55

1=IP55和防雨罩

Protection degree

0=IP55

1=IP55+Rain cover

通讯协议

MB=Modbus RTU

EC=EtherCAT

Communication protocol

MB=Modbus RTU

EC=EtherCAT

调速旋钮 1)

0=无调速旋钮

1=有调速旋钮

Speed control knob 1)

0=No speed control knob

1=Speed control knob

驱动器

D=分布式

Drive

D=Distributed

频率/电压代号

2=47~63Hz/380~480V

Code of voltage and frequency

2=47~63Hz/380~480V

机座材质

L=铝机座

Cast-aluminum frame

L=Aluminum

安装形式A

Construction type A

功率 (kW)	MH=IE2三相交流异步马达4极规格 MP=IE3三相交流异步马达4极规格	
Power(kW)	MH=IE2 4-pole three-phase asynchronous motor MP=IE3 4-pole three-phase asynchronous motor	
0.25	MH071M4A25... MP071M4A25...	1.1 MH090S4B11... MP090S4B11...
0.37	MH071M4A37... MP071M4A37...	1.5 MH090S4B15... MP090M4B15...
0.55	MH080M4A55... MP080M4A55...	2.2 MH100M4B22... MP100M4B22...
0.75	MH080M4A75... MP080M4A75...	3 MH100M4B30... MP100M4B30...

5.传动能力表

5.Transmission Capacity

马达 额定功率	马达 额定转速	减速机实际 输出转速	减速机实际 输出扭矩	减速机公称 减速比代号	减速机公称 减速比	减速机精确 减速比	减速机额定 输出扭矩	服务系数	通讯方式	订货号
Motor Rated Power	Motor Rated Speed	Actual Output Speed of Gearmotor	Actual Output Torque of Gearmotor	Nominal Ratio Code of Gearmotor	Nominal Ratio of Gearmotor	Exact Ratio of Gearmotor	Normal Output Torque of Gearmotor	Service Coefficient	Communication Mode	Order Code
P _{IN} (kw)	n _{IN} (r/min)	n _{2N} (r/min)	T ₂ (N.m)	Code	i _N	i _{ex}	T _{2N} (N.m)	f		
0.25	1380	342	6.9	B40	4	4.04	130	18.84	MB/EC	C203□□-B40-D□□□-□□071□4A25AL□-D□□□□-0□□
0.25	1380	303	7.8	B45	4.5	4.56	140	17.95	MB/EC	C203□□-B45-D□□□-□□071□4A25AL□-D□□□□-0□□
0.25	1380	272	8.6	B50	5	5.07	150	17.44	MB/EC	C203□□-B50-D□□□-□□071□4A25AL□-D□□□□-0□□
0.25	1380	238	9.9	B56	5.6	5.81	160	16.16	MB/EC	C203□□-B56-D□□□-□□071□4A25AL□-D□□□□-0□□
0.25	1380	218	11	B63	6.3	6.32	170	15.45	MB/EC	C203□□-B63-D□□□-□□071□4A25AL□-D□□□□-0□□
0.25	1380	194	12	B71	7.1	7.10	190	15.83	MB/EC	C203□□-B71-D□□□-□□071□4A25AL□-D□□□□-0□□
0.25	1380	172	14	B80	8	8.02	190	13.57	MB/EC	C203□□-B80-D□□□-□□071□4A25AL□-D□□□□-0□□
0.25	1380	155	15	B90	9	8.90	190	12.67	MB/EC	C203□□-B90-D□□□-□□071□4A25AL□-D□□□□-0□□
0.25	1380	135	17	C10	10	10.2	200	11.76	MB/EC	C203□□-C10-D□□□-□□071□4A25AL□-D□□□□-0□□
0.25	1380	123	19	C11	11.2	11.2	200	10.53	MB/EC	C203□□-C11-D□□□-□□071□4A25AL□-D□□□□-0□□
0.25	1380	110	21	C13	12.5	12.6	200	9.52	MB/EC	C203□□-C13-D□□□-□□071□4A25AL□-D□□□□-0□□
0.25	1380	102	23	C14	14	13.5	200	8.7	MB/EC	C203□□-C14-D□□□-□□071□4A25AL□-D□□□□-0□□
0.25	1380	90.2	26	C16	16	15.3	200	7.69	MB/EC	C303□□-C16-D□□□-□□071□4A25AL□-D□□□□-0□□
0.25	1380	79.8	29	C18	18	17.3	200	6.9	MB/EC	C303□□-C18-D□□□-□□071□4A25AL□-D□□□□-0□□
0.25	1380	70.1	33	C20	20	19.7	200	6.06	MB/EC	C303□□-C20-D□□□-□□071□4A25AL□-D□□□□-0□□
0.25	1380	62.2	38	C22	22.4	22.2	200	5.26	MB/EC	C303□□-C22-D□□□-□□071□4A25AL□-D□□□□-0□□
0.25	1380	54.8	43	C25	25	25.2	200	4.65	MB/EC	C303□□-C25-D□□□-□□071□4A25AL□-D□□□□-0□□
0.25	1380	51.3	46	C28	28	26.9	200	4.35	MB/EC	C303□□-C28-D□□□-□□071□4A25AL□-D□□□□-0□□
0.25	1380	45.5	52	C32	31.5	30.3	200	3.85	MB/EC	C303□□-C32-D□□□-□□071□4A25AL□-D□□□□-0□□
0.25	1380	40	59	C36	35.5	34.5	200	3.39	MB/EC	C303□□-C36-D□□□-□□071□4A25AL□-D□□□□-0□□
0.25	1380	35.3	66	C40	40	39.1	200	3.03	MB/EC	C303□□-C40-D□□□-□□071□4A25AL□-D□□□□-0□□
0.25	1380	31.2	75	C45	45	44.2	200	2.67	MB/EC	C303□□-C45-D□□□-□□071□4A25AL□-D□□□□-0□□
0.25	1380	29	81	C50	50	47.6	200	2.47	MB/EC	C303□□-C50-D□□□-□□071□4A25AL□-D□□□□-0□□
0.25	1380	24.8	95	C56	56	55.7	200	2.11	MB/EC	C303□□-C56-D□□□-□□071□4A25AL□-D□□□□-0□□
0.25	1380	21.8	107	C63	63	63.2	200	1.87	MB/EC	C303□□-C63-D□□□-□□071□4A25AL□-D□□□□-0□□
0.25	1380	19.8	118	C71	71	69.6	200	1.69	MB/EC	C303□□-C71-D□□□-□□071□4A25AL□-D□□□□-0□□
0.25	1380	18.1	129	C80	80	76.1	200	1.55	MB/EC	C303□□-C80-D□□□-□□071□4A25AL□-D□□□□-0□□
0.25	1380	16.6	141	C90	90	83.2	200	1.42	MB/EC	C303□□-C90-D□□□-□□071□4A25AL□-D□□□□-0□□

马达 额定功率	马达 额定转速	减速机实际 输出转速	减速机实际 输出扭矩	减速机公称 减速比代号	减速机公称 减速比	减速机精确 减速比	减速机额定 输出扭矩	服务系数	通讯方式	订货号
Motor Rated Power	Motor Rated Speed	Actual Output Speed of Gearmotor	Actual Output Torque of Gearmotor	Nominal Ratio Code of Gearmotor	Nominal Ratio of Gearmotor	Exact Ratio of Gearmotor	Normal Output Torque of Gearmotor	Service Coefficient	Communication Mode	Order Code
P_{IN} (kw)	n_{IN} (r/min)	n_{2N} (r/min)	T_2 (N.m)	Code	i_N	i_{ex}	T_{2N} (N.m)	f		
0.37	1385	343	11	B40	4	4.04	130	11.82	MB/EC	C203□□-B40-D□□□-□□071□4A37AL□-D□□□□-0□□
0.37	1385	304	12	B45	4.5	4.56	140	11.67	MB/EC	C203□□-B45-D□□□-□□071□4A37AL□-D□□□□-0□□
0.37	1385	273	13	B50	5	5.07	150	11.54	MB/EC	C203□□-B50-D□□□-□□071□4A37AL□-D□□□□-0□□
0.37	1385	238	15	B56	5.6	5.81	160	10.67	MB/EC	C203□□-B56-D□□□-□□071□4A37AL□-D□□□□-0□□
0.37	1385	219	16	B63	6.3	6.32	170	10.63	MB/EC	C203□□-B63-D□□□-□□071□4A37AL□-D□□□□-0□□
0.37	1385	195	18	B71	7.1	7.10	190	10.56	MB/EC	C203□□-B71-D□□□-□□071□4A37AL□-D□□□□-0□□
0.37	1385	173	21	B80	8	8.02	190	9.05	MB/EC	C203□□-B80-D□□□-□□071□4A37AL□-D□□□□-0□□
0.37	1385	156	23	B90	9	8.90	190	8.26	MB/EC	C203□□-B90-D□□□-□□071□4A37AL□-D□□□□-0□□
0.37	1385	136	27	C10	10	10.2	200	7.41	MB/EC	C203□□-C10-D□□□-□□071□4A37AL□-D□□□□-0□□
0.37	1385	124	29	C11	11.2	11.2	200	6.9	MB/EC	C203□□-C11-D□□□-□□071□4A37AL□-D□□□□-0□□
0.37	1385	110	33	C13	12.5	12.6	200	6.06	MB/EC	C203□□-C13-D□□□-□□071□4A37AL□-D□□□□-0□□
0.37	1385	103	35	C14	14	13.5	200	5.71	MB/EC	C203□□-C14-D□□□-□□071□4A37AL□-D□□□□-0□□
0.37	1385	90.5	40	C16	16	15.3	200	5	MB/EC	C303□□-C16-D□□□-□□071□4A37AL□-D□□□□-0□□
0.37	1385	80.1	45	C18	18	17.3	200	4.44	MB/EC	C303□□-C18-D□□□-□□071□4A37AL□-D□□□□-0□□
0.37	1385	70.3	51	C20	20	19.7	200	3.92	MB/EC	C303□□-C20-D□□□-□□071□4A37AL□-D□□□□-0□□
0.37	1385	62.4	58	C22	22.4	22.2	200	3.45	MB/EC	C303□□-C22-D□□□-□□071□4A37AL□-D□□□□-0□□
0.37	1385	55	66	C25	25	25.2	200	3.03	MB/EC	C303□□-C25-D□□□-□□071□4A37AL□-D□□□□-0□□
0.37	1385	51.5	70	C28	28	26.9	200	2.86	MB/EC	C303□□-C28-D□□□-□□071□4A37AL□-D□□□□-0□□
0.37	1385	45.7	79	C32	31.5	30.3	200	2.53	MB/EC	C303□□-C32-D□□□-□□071□4A37AL□-D□□□□-0□□
0.37	1385	40.1	90	C36	35.5	34.5	200	2.22	MB/EC	C303□□-C36-D□□□-□□071□4A37AL□-D□□□□-0□□
0.37	1385	35.4	102	C40	40	39.1	200	1.96	MB/EC	C303□□-C40-D□□□-□□071□4A37AL□-D□□□□-0□□
0.37	1385	31.3	115	C45	45	44.2	200	1.74	MB/EC	C303□□-C45-D□□□-□□071□4A37AL□-D□□□□-0□□
0.37	1385	29.1	124	C50	50	47.6	200	1.61	MB/EC	C303□□-C50-D□□□-□□071□4A37AL□-D□□□□-0□□
0.37	1385	24.9	145	C56	56	55.7	200	1.38	MB/EC	C303□□-C56-D□□□-□□071□4A37AL□-D□□□□-0□□
0.37	1385	21.9	164	C63	63	63.2	200	1.22	MB/EC	C303□□-C63-D□□□-□□071□4A37AL□-D□□□□-0□□
0.37	1385	19.9	181	C71	71	69.6	200	1.1	MB/EC	C303□□-C71-D□□□-□□071□4A37AL□-D□□□□-0□□
0.37	1385	18.2	198	C80	80	76.1	200	1.01	MB/EC	C303□□-C80-D□□□-□□071□4A37AL□-D□□□□-0□□
0.37	1385	16.6	216	C90	90	83.2	200	0.93	MB/EC	C303□□-C90-D□□□-□□071□4A37AL□-D□□□□-0□□
0.37	1385	20.5	176	C71	71	67.6	300	1.7	MB/EC	C304□□-C71-D□□□-□□071□4A37AL□-D□□□□-0□□
0.37	1385	17.5	206	C80	80	79.1	300	1.46	MB/EC	C304□□-C80-D□□□-□□071□4A37AL□-D□□□□-0□□
0.37	1385	15.4	233	C90	90	89.7	300	1.29	MB/EC	C304□□-C90-D□□□-□□071□4A37AL□-D□□□□-0□□
0.37	1385	14	257	D10	100	98.9	300	1.17	MB/EC	C304□□-D10-D□□□-□□071□4A37AL□-D□□□□-0□□
0.37	1385	12.8	281	D11	112	108.1	300	1.07	MB/EC	C304□□-D11-D□□□-□□071□4A37AL□-D□□□□-0□□
0.37	1385	11.7	307	D13	125	118.2	300	0.98	MB/EC	C304□□-D13-D□□□-□□071□4A37AL□-D□□□□-0□□

马达 额定功率	马达 额定转速	减速机实际 输出转速	减速机实际 输出扭矩	减速机公称 减速比代号	减速机公称 减速比	减速机精确 减速比	减速机额定 输出扭矩	服务系数	通讯方式	订货号
Motor Rated Power	Motor Rated Speed	Actual Output Speed of Gearmotor	Actual Output Torque of Gearmotor	Nominal Ratio Code of Gearmotor	Nominal Ratio of Gearmotor	Exact Ratio of Gearmotor	Normal Output Torque of Gearmotor	Service Coefficient	Communication Mode	Order Code
P_{1N} (kw)	n_{1N} (r/min)	n_{2N} (r/min)	T_2 (N.m)	Code	i_N	i_{ex}	T_{2N} (N.m)	f		
0.55	1430	354	15	B40	4	4.04	130	8.67	MB/EC	C203□□-B40-D□□□-□□080□4A55AL□-D□□□□-0□□
0.55	1430	314	17	B45	4.5	4.56	140	8.24	MB/EC	C203□□-B45-D□□□-□□080□4A55AL□-D□□□□-0□□
0.55	1430	282	19	B50	5	5.07	150	7.89	MB/EC	C203□□-B50-D□□□-□□080□4A55AL□-D□□□□-0□□
0.55	1430	246	21	B56	5.6	5.81	160	7.62	MB/EC	C203□□-B56-D□□□-□□080□4A55AL□-D□□□□-0□□
0.55	1430	226	23	B63	6.3	6.32	170	7.39	MB/EC	C203□□-B63-D□□□-□□080□4A55AL□-D□□□□-0□□
0.55	1430	201	26	B71	7.1	7.10	190	7.31	MB/EC	C203□□-B71-D□□□-□□080□4A55AL□-D□□□□-0□□
0.55	1430	178	30	B80	8	8.02	190	6.33	MB/EC	C203□□-B80-D□□□-□□080□4A55AL□-D□□□□-0□□
0.55	1430	161	33	B90	9	8.90	190	5.76	MB/EC	C203□□-B90-D□□□-□□080□4A55AL□-D□□□□-0□□
0.55	1430	140	38	C10	10	10.2	200	5.26	MB/EC	C203□□-C10-D□□□-□□080□4A55AL□-D□□□□-0□□
0.55	1430	128	41	C11	11.2	11.2	200	4.88	MB/EC	C203□□-C11-D□□□-□□080□4A55AL□-D□□□□-0□□
0.55	1430	113	47	C13	12.5	12.6	200	4.26	MB/EC	C203□□-C13-D□□□-□□080□4A55AL□-D□□□□-0□□
0.55	1430	106	50	C14	14	13.5	200	4	MB/EC	C203□□-C14-D□□□-□□080□4A55AL□-D□□□□-0□□
0.55	1430	93.5	57	C16	16	15.3	200	3.51	MB/EC	C303□□-C16-D□□□-□□080□4A55AL□-D□□□□-0□□
0.55	1430	82.7	64	C18	18	17.3	200	3.13	MB/EC	C303□□-C18-D□□□-□□080□4A55AL□-D□□□□-0□□
0.55	1430	72.6	73	C20	20	19.7	200	2.74	MB/EC	C303□□-C20-D□□□-□□080□4A55AL□-D□□□□-0□□
0.55	1430	64.4	82	C22	22.4	22.2	200	2.44	MB/EC	C303□□-C22-D□□□-□□080□4A55AL□-D□□□□-0□□
0.55	1430	56.7	93	C25	25	25.2	200	2.15	MB/EC	C303□□-C25-D□□□-□□080□4A55AL□-D□□□□-0□□
0.55	1430	53.2	100	C28	28	26.9	200	2	MB/EC	C303□□-C28-D□□□-□□080□4A55AL□-D□□□□-0□□
0.55	1430	47.2	112	C32	31.5	30.3	200	1.79	MB/EC	C303□□-C32-D□□□-□□080□4A55AL□-D□□□□-0□□
0.55	1430	41.4	128	C36	35.5	34.5	200	1.56	MB/EC	C303□□-C36-D□□□-□□080□4A55AL□-D□□□□-0□□
0.55	1430	36.6	145	C40	40	39.1	200	1.38	MB/EC	C303□□-C40-D□□□-□□080□4A55AL□-D□□□□-0□□
0.55	1430	32.4	164	C45	45	44.2	200	1.22	MB/EC	C303□□-C45-D□□□-□□080□4A55AL□-D□□□□-0□□
0.55	1430	30	176	C50	50	47.6	200	1.14	MB/EC	C303□□-C50-D□□□-□□080□4A55AL□-D□□□□-0□□
0.55	1430	25.7	206	C56	56	55.7	200	0.97	MB/EC	C303□□-C56-D□□□-□□080□4A55AL□-D□□□□-0□□
0.55	1430	22.6	234	C63	63	63.2	200	0.85	MB/EC	C303□□-C63-D□□□-□□080□4A55AL□-D□□□□-0□□
0.55	1430	20.5	258	C71	71	69.6	200	0.78	MB/EC	C303□□-C71-D□□□-□□080□4A55AL□-D□□□□-0□□
0.55	1430	29.2	181	C50	50	49.0	300	1.66	MB/EC	C304□□-C50-D□□□-□□080□4A55AL□-D□□□□-0□□
0.55	1430	25.8	205	C56	56	55.4	300	1.46	MB/EC	C304□□-C56-D□□□-□□080□4A55AL□-D□□□□-0□□
0.55	1430	22.8	232	C63	63	62.8	300	1.29	MB/EC	C304□□-C63-D□□□-□□080□4A55AL□-D□□□□-0□□
0.55	1430	21.2	250	C71	71	67.6	300	1.2	MB/EC	C304□□-C71-D□□□-□□080□4A55AL□-D□□□□-0□□
0.55	1430	18.1	293	C80	80	79.1	300	1.02	MB/EC	C304□□-C80-D□□□-□□080□4A55AL□-D□□□□-0□□
0.55	1430	15.9	332	C90	90	89.7	300	0.9	MB/EC	C304□□-C90-D□□□-□□080□4A55AL□-D□□□□-0□□
0.55	1430	14.5	366	D10	100	98.9	300	0.82	MB/EC	C304□□-D10-D□□□-□□080□4A55AL□-D□□□□-0□□
0.55	1430	18	293	C80	80	79.3	480	1.64	MB/EC	C305□□-C80-D□□□-□□080□4A55AL□-D□□□□-0□□
0.55	1430	15.5	341	C90	90	92.2	480	1.41	MB/EC	C305□□-C90-D□□□-□□080□4A55AL□-D□□□□-0□□
0.55	1430	13.8	384	D10	100	103.7	480	1.25	MB/EC	C305□□-D10-D□□□-□□080□4A55AL□-D□□□□-0□□
0.55	1430	12.6	419	D11	112	113.3	480	1.15	MB/EC	C305□□-D11-D□□□-□□080□4A55AL□-D□□□□-0□□
0.55	1430	11.5	460	D13	125	124.2	480	1.04	MB/EC	C305□□-D13-D□□□-□□080□4A55AL□-D□□□□-0□□
0.55	1430	10.6	500	D14	140	135.0	480	0.96	MB/EC	C305□□-D14-D□□□-□□080□4A55AL□-D□□□□-0□□
0.55	1430	13.4	395	D11	112	106.8	650	1.65	MB/EC	C306□□-D11-D□□□-□□080□4A55AL□-D□□□□-0□□
0.55	1430	11.9	445	D13	125	120.2	650	1.46	MB/EC	C306□□-D13-D□□□-□□080□4A55AL□-D□□□□-0□□
0.55	1430	10.9	485	D14	140	131.2	650	1.34	MB/EC	C306□□-D14-D□□□-□□080□4A55AL□-D□□□□-0□□
0.55	1430	9.9	533	D16	160	144.0	650	1.22	MB/EC	C306□□-D16-D□□□-□□080□4A55AL□-D□□□□-0□□

马达 额定功率	马达 额定转速	减速机实际 输出转速	减速机实际 输出扭矩	减速机公称 减速比代号	减速机公称 减速比	减速机精确 减速比	减速机额定 输出扭矩	服务系数	通讯方式	订货号
Motor Rated Power	Motor Rated Speed	Actual Output Speed of Gearmotor	Actual Output Torque of Gearmotor	Nominal Ratio Code of Gearmotor	Nominal Ratio of Gearmotor	Exact Ratio of Gearmotor	Normal Output Torque of Gearmotor	Service Coefficient	Communication Mode	Order Code
P _{IN} (kw)	n _{1N} (r/min)	n _{2N} (r/min)	T ₂ (N.m)	Code	i _N	i _{ex}	T _{2N} (N.m)	f		
0.75	1430	354	20	B40	4	4.04	130	6.5	MB/EC	C203□□-B40-D□□□-□□080□4A75AL□-D□□□□-0□□
0.75	1430	314	23	B45	4.5	4.56	140	6.09	MB/EC	C203□□-B45-D□□□-□□080□4A75AL□-D□□□□-0□□
0.75	1430	282	25	B50	5	5.07	150	6	MB/EC	C203□□-B50-D□□□-□□080□4A75AL□-D□□□□-0□□
0.75	1430	246	29	B56	5.6	5.81	160	5.52	MB/EC	C203□□-B56-D□□□-□□080□4A75AL□-D□□□□-0□□
0.75	1430	226	32	B63	6.3	6.32	170	5.31	MB/EC	C203□□-B63-D□□□-□□080□4A75AL□-D□□□□-0□□
0.75	1430	201	36	B71	7.1	7.10	190	5.28	MB/EC	C203□□-B71-D□□□-□□080□4A75AL□-D□□□□-0□□
0.75	1430	178	40	B80	8	8.02	190	4.75	MB/EC	C203□□-B80-D□□□-□□080□4A75AL□-D□□□□-0□□
0.75	1430	161	45	B90	9	8.90	190	4.22	MB/EC	C203□□-B90-D□□□-□□080□4A75AL□-D□□□□-0□□
0.75	1430	140	51	C10	10	10.2	200	3.92	MB/EC	C203□□-C10-D□□□-□□080□4A75AL□-D□□□□-0□□
0.75	1430	128	56	C11	11.2	11.2	200	3.57	MB/EC	C203□□-C11-D□□□-□□080□4A75AL□-D□□□□-0□□
0.75	1430	113	63	C13	12.5	12.6	200	3.17	MB/EC	C203□□-C13-D□□□-□□080□4A75AL□-D□□□□-0□□
0.75	1430	106	68	C14	14	13.5	200	2.94	MB/EC	C203□□-C14-D□□□-□□080□4A75AL□-D□□□□-0□□
0.75	1430	93.5	77	C16	16	15.3	200	2.6	MB/EC	C303□□-C16-D□□□-□□080□4A75AL□-D□□□□-0□□
0.75	1430	82.7	87	C18	18	17.3	200	2.3	MB/EC	C303□□-C18-D□□□-□□080□4A75AL□-D□□□□-0□□
0.75	1430	72.6	99	C20	20	19.7	200	2.02	MB/EC	C303□□-C20-D□□□-□□080□4A75AL□-D□□□□-0□□
0.75	1430	64.4	111	C22	22.4	22.2	200	1.8	MB/EC	C303□□-C22-D□□□-□□080□4A75AL□-D□□□□-0□□
0.75	1430	56.7	126	C25	25	25.2	200	1.59	MB/EC	C303□□-C25-D□□□-□□080□4A75AL□-D□□□□-0□□
0.75	1430	53.2	135	C28	28	26.9	200	1.48	MB/EC	C303□□-C28-D□□□-□□080□4A75AL□-D□□□□-0□□
0.75	1430	47.2	152	C32	31.5	30.3	200	1.32	MB/EC	C303□□-C32-D□□□-□□080□4A75AL□-D□□□□-0□□
0.75	1430	41.4	173	C36	35.5	34.5	200	1.16	MB/EC	C303□□-C36-D□□□-□□080□4A75AL□-D□□□□-0□□
0.75	1430	36.6	196	C40	40	39.1	200	1.02	MB/EC	C303□□-C40-D□□□-□□080□4A75AL□-D□□□□-0□□
0.75	1430	32.4	221	C45	45	44.2	200	0.9	MB/EC	C303□□-C45-D□□□-□□080□4A75AL□-D□□□□-0□□
0.75	1430	30	238	C50	50	47.6	200	0.84	MB/EC	C303□□-C50-D□□□-□□080□4A75AL□-D□□□□-0□□
0.75	1430	37.4	191	C40	40	38.2	300	1.57	MB/EC	C304□□-C40-D□□□-□□080□4A75AL□-D□□□□-0□□
0.75	1430	33.3	215	C45	45	43.0	300	1.4	MB/EC	C304□□-C45-D□□□-□□080□4A75AL□-D□□□□-0□□
0.75	1430	29.2	245	C50	50	49.0	300	1.22	MB/EC	C304□□-C50-D□□□-□□080□4A75AL□-D□□□□-0□□
0.75	1430	25.8	277	C56	56	55.4	300	1.08	MB/EC	C304□□-C56-D□□□-□□080□4A75AL□-D□□□□-0□□
0.75	1430	22.8	314	C63	63	62.8	300	0.96	MB/EC	C304□□-C63-D□□□-□□080□4A75AL□-D□□□□-0□□
0.75	1430	21.2	338	C71	71	67.6	300	0.89	MB/EC	C304□□-C71-D□□□-□□080□4A75AL□-D□□□□-0□□
0.75	1430	23.9	300	C56	56	59.9	480	1.6	MB/EC	C305□□-C56-D□□□-□□080□4A75AL□-D□□□□-0□□
0.75	1430	21.7	329	C63	63	65.8	480	1.46	MB/EC	C305□□-C63-D□□□-□□080□4A75AL□-D□□□□-0□□
0.75	1430	19.3	371	C71	71	74.2	480	1.29	MB/EC	C305□□-C71-D□□□-□□080□4A75AL□-D□□□□-0□□
0.75	1430	18	397	C80	80	79.3	480	1.21	MB/EC	C305□□-C80-D□□□-□□080□4A75AL□-D□□□□-0□□
0.75	1430	15.5	461	C90	90	92.2	480	1.04	MB/EC	C305□□-C90-D□□□-□□080□4A75AL□-D□□□□-0□□
0.75	1430	13.8	519	D10	100	103.7	480	0.92	MB/EC	C305□□-D10-D□□□-□□080□4A75AL□-D□□□□-0□□
0.75	1430	12.6	567	D11	112	113.3	480	0.85	MB/EC	C305□□-D11-D□□□-□□080□4A75AL□-D□□□□-0□□
0.75	1430	16.6	430	C90	90	86.0	650	1.51	MB/EC	C306□□-C90-D□□□-□□080□4A75AL□-D□□□□-0□□
0.75	1430	15.6	460	D10	100	91.9	650	1.41	MB/EC	C306□□-D10-D□□□-□□080□4A75AL□-D□□□□-0□□
0.75	1430	13.4	534	D11	112	106.8	650	1.22	MB/EC	C306□□-D11-D□□□-□□080□4A75AL□-D□□□□-0□□
0.75	1430	11.9	601	D13	125	120.2	650	1.08	MB/EC	C306□□-D13-D□□□-□□080□4A75AL□-D□□□□-0□□
0.75	1430	10.9	656	D14	140	131.2	650	0.99	MB/EC	C306□□-D14-D□□□-□□080□4A75AL□-D□□□□-0□□
0.75	1430	9.9	720	D16	160	144.0	650	0.9	MB/EC	C306□□-D16-D□□□-□□080□4A75AL□-D□□□□-0□□
0.75	1430	12.1	589	D11	112	117.7	900	1.53	MB/EC	C307□□-D11-D□□□-□□080□4A75AL□-D□□□□-0□□
0.75	1430	11.5	623	D13	125	124.5	900	1.44	MB/EC	C307□□-D13-D□□□-□□080□4A75AL□-D□□□□-0□□
0.75	1430	10.2	700	D14	140	140.0	900	1.29	MB/EC	C307□□-D14-D□□□-□□080□4A75AL□-D□□□□-0□□
0.75	1430	9.6	745	D16	160	148.9	900	1.21	MB/EC	C307□□-D16-D□□□-□□080□4A75AL□-D□□□□-0□□
0.75	1430	8.5	841	D18	180	168.2	900	1.07	MB/EC	C307□□-D18-D□□□-□□080□4A75AL□-D□□□□-0□□

马达 额定功率	马达 额定转速	减速机实际 输出转速	减速机实际 输出扭矩	减速机公称 减速比代号	减速机公称 减速比	减速机精确 减速比	减速机额定 输出扭矩	服务系数	通讯方式	订货号
Motor Rated Power	Motor Rated Speed	Actual Output Speed of Gearmotor	Actual Output Torque of Gearmotor	Nominal Ratio Code of Gearmotor	Nominal Ratio of Gearmotor	Exact Ratio of Gearmotor	Normal Output Torque of Gearmotor	Service Coefficient	Communication Mode	Order Code
P_{IN} (kw)	n_{1N} (r/min)	n_{2N} (r/min)	T_2 (N.m)	Code	i_N	i_{ex}	T_{2N} (N.m)	f		
1.1	1435	355	29	B40	4	4.04	130	4.48	MB/EC	C203□□-B40-D□□□-□□090□4B11AL□-D□□□□-0□□
1.1	1435	315	33	B45	4.5	4.56	140	4.24	MB/EC	C203□□-B45-D□□□-□□090□4B11AL□-D□□□□-0□□
1.1	1435	283	37	B50	5	5.07	150	4.05	MB/EC	C203□□-B50-D□□□-□□090□4B11AL□-D□□□□-0□□
1.1	1435	247	42	B56	5.6	5.81	160	3.81	MB/EC	C203□□-B56-D□□□-□□090□4B11AL□-D□□□□-0□□
1.1	1435	227	46	B63	6.3	6.32	170	3.7	MB/EC	C203□□-B63-D□□□-□□090□4B11AL□-D□□□□-0□□
1.1	1435	202	52	B71	7.1	7.10	190	3.65	MB/EC	C203□□-B71-D□□□-□□090□4B11AL□-D□□□□-0□□
1.1	1435	179	59	B80	8	8.02	190	3.22	MB/EC	C203□□-B80-D□□□-□□090□4B11AL□-D□□□□-0□□
1.1	1435	161	65	B90	9	8.90	190	2.92	MB/EC	C203□□-B90-D□□□-□□090□4B11AL□-D□□□□-0□□
1.1	1435	141	74	C10	10	10.2	200	2.7	MB/EC	C203□□-C10-D□□□-□□090□4B11AL□-D□□□□-0□□
1.1	1435	128	82	C11	11.2	11.2	200	2.44	MB/EC	C203□□-C11-D□□□-□□090□4B11AL□-D□□□□-0□□
1.1	1435	114	92	C13	12.5	12.6	200	2.17	MB/EC	C203□□-C13-D□□□-□□090□4B11AL□-D□□□□-0□□
1.1	1435	106	99	C14	14	13.5	200	2.02	MB/EC	C203□□-C14-D□□□-□□090□4B11AL□-D□□□□-0□□
1.1	1435	93.8	112	C16	16	15.3	200	1.79	MB/EC	C303□□-C16-D□□□-□□090□4B11AL□-D□□□□-0□□
1.1	1435	82.9	126	C18	18	17.3	200	1.59	MB/EC	C303□□-C18-D□□□-□□090□4B11AL□-D□□□□-0□□
1.1	1435	72.8	144	C20	20	19.7	200	1.39	MB/EC	C303□□-C20-D□□□-□□090□4B11AL□-D□□□□-0□□
1.1	1435	64.6	162	C22	22.4	22.2	200	1.23	MB/EC	C303□□-C22-D□□□-□□090□4B11AL□-D□□□□-0□□
1.1	1435	56.9	184	C25	25	25.2	200	1.09	MB/EC	C303□□-C25-D□□□-□□090□4B11AL□-D□□□□-0□□
1.1	1435	53.3	196	C28	28	26.9	200	1.02	MB/EC	C303□□-C28-D□□□-□□090□4B11AL□-D□□□□-0□□
1.1	1435	47.4	221	C32	31.5	30.3	200	0.9	MB/EC	C303□□-C32-D□□□-□□090□4B11AL□-D□□□□-0□□
1.1	1435	41.6	252	C36	35.5	34.5	200	0.79	MB/EC	C303□□-C36-D□□□-□□090□4B11AL□-D□□□□-0□□
1.1	1435	57.6	182	C25	25	24.9	300	1.65	MB/EC	C304□□-C25-D□□□-□□090□4B11AL□-D□□□□-0□□
1.1	1435	51.1	205	C28	28	28.1	300	1.46	MB/EC	C304□□-C28-D□□□-□□090□4B11AL□-D□□□□-0□□
1.1	1435	45.1	232	C32	31.5	31.8	300	1.29	MB/EC	C304□□-C32-D□□□-□□090□4B11AL□-D□□□□-0□□
1.1	1435	41.8	250	C36	35.5	34.3	300	1.2	MB/EC	C304□□-C36-D□□□-□□090□4B11AL□-D□□□□-0□□
1.1	1435	37.6	279	C40	40	38.2	300	1.08	MB/EC	C304□□-C40-D□□□-□□090□4B11AL□-D□□□□-0□□
1.1	1435	33.4	314	C45	45	43.0	300	0.96	MB/EC	C304□□-C45-D□□□-□□090□4B11AL□-D□□□□-0□□
1.1	1435	29.3	358	C50	50	49.0	300	0.84	MB/EC	C304□□-C50-D□□□-□□090□4B11AL□-D□□□□-0□□
1.1	1435	36.1	290	C40	40	39.7	480	1.66	MB/EC	C305□□-C40-D□□□-□□090□4B11AL□-D□□□□-0□□
1.1	1435	30.5	344	C45	45	47.1	480	1.4	MB/EC	C305□□-C45-D□□□-□□090□4B11AL□-D□□□□-0□□
1.1	1435	27.4	382	C50	50	52.3	480	1.26	MB/EC	C305□□-C50-D□□□-□□090□4B11AL□-D□□□□-0□□
1.1	1435	24	437	C56	56	59.9	480	1.1	MB/EC	C305□□-C56-D□□□-□□090□4B11AL□-D□□□□-0□□
1.1	1435	21.8	480	C63	63	65.8	480	1	MB/EC	C305□□-C63-D□□□-□□090□4B11AL□-D□□□□-0□□
1.1	1435	19.3	542	C71	71	74.2	480	0.89	MB/EC	C305□□-C71-D□□□-□□090□4B11AL□-D□□□□-0□□
1.1	1435	18.1	579	C80	80	79.3	480	0.83	MB/EC	C305□□-C80-D□□□-□□090□4B11AL□-D□□□□-0□□
1.1	1435	26.3	399	C56	56	54.6	650	1.63	MB/EC	C306□□-C56-D□□□-□□090□4B11AL□-D□□□□-0□□
1.1	1435	23.7	442	C63	63	60.6	650	1.47	MB/EC	C306□□-C63-D□□□-□□090□4B11AL□-D□□□□-0□□
1.1	1435	20.7	507	C71	71	69.4	650	1.28	MB/EC	C306□□-C71-D□□□-□□090□4B11AL□-D□□□□-0□□
1.1	1435	18.8	557	C80	80	76.3	650	1.17	MB/EC	C306□□-C80-D□□□-□□090□4B11AL□-D□□□□-0□□
1.1	1435	16.7	628	C90	90	86.0	650	1.04	MB/EC	C306□□-C90-D□□□-□□090□4B11AL□-D□□□□-0□□
1.1	1435	15.6	671	D10	100	91.9	650	0.97	MB/EC	C306□□-D10-D□□□-□□090□4B11AL□-D□□□□-0□□
1.1	1435	18.6	562	C80	80	77.0	900	1.6	MB/EC	C307□□-C80-D□□□-□□090□4B11AL□-D□□□□-0□□
1.1	1435	15	699	C90	90	95.8	900	1.29	MB/EC	C307□□-C90-D□□□-□□090□4B11AL□-D□□□□-0□□
1.1	1435	14.1	743	D10	100	101.8	900	1.21	MB/EC	C307□□-D10-D□□□-□□090□4B11AL□-D□□□□-0□□

马达 额定功率	马达 额定转速	减速机实际 输出转速	减速机实际 输出扭矩	减速机公称 减速比代号	减速机公称 减速比	减速机精确 减速比	减速机额定 输出扭矩	服务系数	通讯方式	订货号
Motor Rated Power	Motor Rated Speed	Actual Output Speed of Gearmotor	Actual Output Torque of Gearmotor	Nominal Ratio Code of Gearmotor	Nominal Ratio of Gearmotor	Exact Ratio of Gearmotor	Normal Output Torque of Gearmotor	Service Coefficient	Communication Mode	Order Code
P _{IN} (kw)	n _{IN} (r/min)	n _{2N} (r/min)	T ₂ (N.m)	Code	i _N	i _{ex}	T _{2N} (N.m)	f		
1.5	1435	355	40	B40	4	4.04	130	3.25	MB/EC	C203□□-B40-D□□□-□□090□4B15AL□-D□□□□-0□□
1.5	1435	315	46	B45	4.5	4.56	140	3.04	MB/EC	C203□□-B45-D□□□-□□090□4B15AL□-D□□□□-0□□
1.5	1435	283	51	B50	5	5.07	150	2.94	MB/EC	C203□□-B50-D□□□-□□090□4B15AL□-D□□□□-0□□
1.5	1435	247	58	B56	5.6	5.81	160	2.76	MB/EC	C203□□-B56-D□□□-□□090□4B15AL□-D□□□□-0□□
1.5	1435	227	63	B63	6.3	6.32	170	2.7	MB/EC	C203□□-B63-D□□□-□□090□4B15AL□-D□□□□-0□□
1.5	1435	202	71	B71	7.1	7.10	190	2.68	MB/EC	C203□□-B71-D□□□-□□090□4B15AL□-D□□□□-0□□
1.5	1435	179	80	B80	8	8.02	190	2.38	MB/EC	C203□□-B80-D□□□-□□090□4B15AL□-D□□□□-0□□
1.5	1435	161	89	B90	9	8.90	190	2.13	MB/EC	C203□□-B90-D□□□-□□090□4B15AL□-D□□□□-0□□
1.5	1435	141	102	C10	10	10.2	200	1.96	MB/EC	C203□□-C10-D□□□-□□090□4B15AL□-D□□□□-0□□
1.5	1435	128	112	C11	11.2	11.2	200	1.79	MB/EC	C203□□-C11-D□□□-□□090□4B15AL□-D□□□□-0□□
1.5	1435	114	126	C13	12.5	12.6	200	1.59	MB/EC	C203□□-C13-D□□□-□□090□4B15AL□-D□□□□-0□□
1.5	1435	106	135	C14	14	13.5	200	1.48	MB/EC	C203□□-C14-D□□□-□□090□4B15AL□-D□□□□-0□□
1.5	1435	93.8	153	C16	16	15.3	200	1.31	MB/EC	C303□□-C16-D□□□-□□090□4B15AL□-D□□□□-0□□
1.5	1435	82.9	173	C18	18	17.3	200	1.16	MB/EC	C303□□-C18-D□□□-□□090□4B15AL□-D□□□□-0□□
1.5	1435	72.8	197	C20	20	19.7	200	1.02	MB/EC	C303□□-C20-D□□□-□□090□4B15AL□-D□□□□-0□□
1.5	1435	64.6	222	C22	22.4	22.2	200	0.9	MB/EC	C303□□-C22-D□□□-□□090□4B15AL□-D□□□□-0□□
1.5	1435	56.9	252	C25	25	25.2	200	0.79	MB/EC	C303□□-C25-D□□□-□□090□4B15AL□-D□□□□-0□□
1.5	1435	74.4	193	C20	20	19.3	300	1.55	MB/EC	C304□□-C20-D□□□-□□090□4B15AL□-D□□□□-0□□
1.5	1435	65.8	218	C22	22.4	21.8	300	1.38	MB/EC	C304□□-C22-D□□□-□□090□4B15AL□-D□□□□-0□□
1.5	1435	57.6	249	C25	25	24.9	300	1.2	MB/EC	C304□□-C25-D□□□-□□090□4B15AL□-D□□□□-0□□
1.5	1435	51.1	281	C28	28	28.1	300	1.07	MB/EC	C304□□-C28-D□□□-□□090□4B15AL□-D□□□□-0□□
1.5	1435	45.1	318	C32	31.5	31.8	300	0.94	MB/EC	C304□□-C32-D□□□-□□090□4B15AL□-D□□□□-0□□
1.5	1435	41.8	343	C36	35.5	34.3	300	0.87	MB/EC	C304□□-C36-D□□□-□□090□4B15AL□-D□□□□-0□□
1.5	1435	37.6	382	C40	40	38.2	300	0.79	MB/EC	C304□□-C40-D□□□-□□090□4B15AL□-D□□□□-0□□
1.5	1435	50.5	284	C28	28	28.4	470	1.65	MB/EC	C305□□-C28-D□□□-□□090□4B15AL□-D□□□□-0□□
1.5	1435	45.6	315	C32	31.5	31.5	470	1.49	MB/EC	C305□□-C32-D□□□-□□090□4B15AL□-D□□□□-0□□
1.5	1435	39.8	361	C36	35.5	36.1	480	1.33	MB/EC	C305□□-C36-D□□□-□□090□4B15AL□-D□□□□-0□□
1.5	1435	36.1	397	C40	40	39.7	480	1.21	MB/EC	C305□□-C40-D□□□-□□090□4B15AL□-D□□□□-0□□
1.5	1435	30.5	471	C45	45	47.1	480	1.02	MB/EC	C305□□-C45-D□□□-□□090□4B15AL□-D□□□□-0□□
1.5	1435	27.4	523	C50	50	52.3	480	0.92	MB/EC	C305□□-C50-D□□□-□□090□4B15AL□-D□□□□-0□□
1.5	1435	24	599	C56	56	59.9	480	0.8	MB/EC	C305□□-C56-D□□□-□□090□4B15AL□-D□□□□-0□□
1.5	1435	36.6	392	C40	40	39.2	650	1.66	MB/EC	C306□□-C40-D□□□-□□090□4B15AL□-D□□□□-0□□
1.5	1435	33.4	430	C45	45	43.0	650	1.51	MB/EC	C306□□-C45-D□□□-□□090□4B15AL□-D□□□□-0□□
1.5	1435	29.7	483	C50	50	48.3	650	1.35	MB/EC	C306□□-C50-D□□□-□□090□4B15AL□-D□□□□-0□□
1.5	1435	26.3	546	C56	56	54.6	650	1.19	MB/EC	C306□□-C56-D□□□-□□090□4B15AL□-D□□□□-0□□
1.5	1435	23.7	606	C63	63	60.6	650	1.07	MB/EC	C306□□-C63-D□□□-□□090□4B15AL□-D□□□□-0□□
1.5	1435	20.7	694	C71	71	69.4	650	0.94	MB/EC	C306□□-C71-D□□□-□□090□4B15AL□-D□□□□-0□□
1.5	1435	18.8	763	C80	80	76.3	650	0.85	MB/EC	C306□□-C80-D□□□-□□090□4B15AL□-D□□□□-0□□
1.5	1435	16.7	860	C90	90	86.0	650	0.76	MB/EC	C306□□-C90-D□□□-□□090□4B15AL□-D□□□□-0□□
1.5	1435	25.9	554	C56	56	55.4	900	1.62	MB/EC	C307□□-C56-D□□□-□□090□4B15AL□-D□□□□-0□□
1.5	1435	23.3	617	C63	63	61.7	900	1.46	MB/EC	C307□□-C63-D□□□-□□090□4B15AL□-D□□□□-0□□
1.5	1435	21.2	678	C71	71	67.8	900	1.33	MB/EC	C307□□-C71-D□□□-□□090□4B15AL□-D□□□□-0□□
1.5	1435	18.6	770	C80	80	77.0	900	1.17	MB/EC	C307□□-C80-D□□□-□□090□4B15AL□-D□□□□-0□□
1.5	1435	15	958	C90	90	95.8	900	0.94	MB/EC	C307□□-C90-D□□□-□□090□4B15AL□-D□□□□-0□□
1.5	1435	14.1	1018	D10	100	101.8	900	0.88	MB/EC	C307□□-D10-D□□□-□□090□4B15AL□-D□□□□-0□□
1.5	1435	16.1	893	C90	90	89.3	1800	2.02	MB/EC	C308□□-C90-D□□□-□□090□4B15AL□-D□□□□-0□□
1.5	1435	14.7	978	D10	100	97.8	1800	1.84	MB/EC	C308□□-D10-D□□□-□□090□4B15AL□-D□□□□-0□□
1.5	1435	13.5	1064	D11	112	106.4	1800	1.69	MB/EC	C308□□-D11-D□□□-□□090□4B15AL□-D□□□□-0□□
1.5	1435	12	1196	D13	125	119.6	1800	1.51	MB/EC	C308□□-D13-D□□□-□□090□4B15AL□-D□□□□-0□□
1.5	1435	11	1310	D14	140	131.0	1800	1.37	MB/EC	C308□□-D14-D□□□-□□090□4B15AL□-D□□□□-0□□
1.5	1435	9.3	1538	D16	160	153.8	1800	1.17	MB/EC	C308□□-D16-D□□□-□□090□4B15AL□-D□□□□-0□□

马达 额定功率	马达 额定转速	减速机实际 输出转速	减速机实际 输出扭矩	减速机公称 减速比代号	减速机公称 减速比	减速机精确 减速比	减速机额定 输出扭矩	服务系数	通讯方式	订货号
Motor Rated Power	Motor Rated Speed	Actual Output Speed of Gearmotor	Actual Output Torque of Gearmotor	Nominal Ratio Code of Gearmotor	Nominal Ratio of Gearmotor	Exact Ratio of Gearmotor	Normal Output Torque of Gearmotor	Service Coefficient	Communication Mode	Order Code
P _{1N} (kw)	n _{1N} (r/min)	n _{2N} (r/min)	T ₂ (N.m)	Code	i _N	i _{ex}	T _{2N} (N.m)	f		
2.2	1455	360	58	B40	4	4.04	130	2.24	MB/EC	C203□□-B40-D□□□-□□100□4B22AL□-D□□□□-0□□
2.2	1455	319	66	B45	4.5	4.56	140	2.12	MB/EC	C203□□-B45-D□□□-□□100□4B22AL□-D□□□□-0□□
2.2	1455	287	73	B50	5	5.07	150	2.05	MB/EC	C203□□-B50-D□□□-□□100□4B22AL□-D□□□□-0□□
2.2	1455	250	84	B56	5.6	5.81	160	1.9	MB/EC	C203□□-B56-D□□□-□□100□4B22AL□-D□□□□-0□□
2.2	1455	230	91	B63	6.3	6.32	170	1.87	MB/EC	C203□□-B63-D□□□-□□100□4B22AL□-D□□□□-0□□
2.2	1455	205	102	B71	7.1	7.10	190	1.86	MB/EC	C203□□-B71-D□□□-□□100□4B22AL□-D□□□□-0□□
2.2	1455	181	115	B80	8	8.02	190	1.65	MB/EC	C203□□-B80-D□□□-□□100□4B22AL□-D□□□□-0□□
2.2	1455	163	128	B90	9	8.90	190	1.48	MB/EC	C203□□-B90-D□□□-□□100□4B22AL□-D□□□□-0□□
2.2	1455	143	147	C10	10	10.2	200	1.36	MB/EC	C203□□-C10-D□□□-□□100□4B22AL□-D□□□□-0□□
2.2	1455	130	161	C11	11.2	11.2	200	1.24	MB/EC	C203□□-C11-D□□□-□□100□4B22AL□-D□□□□-0□□
2.2	1455	115	181	C13	12.5	12.6	200	1.1	MB/EC	C203□□-C13-D□□□-□□100□4B22AL□-D□□□□-0□□
2.2	1455	108	194	C14	14	13.5	200	1.03	MB/EC	C203□□-C14-D□□□-□□100□4B22AL□-D□□□□-0□□
2.2	1455	95.1	220	C16	16	15.3	200	0.91	MB/EC	C303□□-C16-D□□□-□□100□4B22AL□-D□□□□-0□□
2.2	1455	84.1	249	C18	18	17.3	200	0.8	MB/EC	C303□□-C18-D□□□-□□100□4B22AL□-D□□□□-0□□
2.2	1455	140	150	C10	10	10.4	250	1.67	MB/EC	C204□□-C10-D□□□-□□100□4B22AL□-D□□□□-0□□
2.2	1455	127	166	C11	11.2	11.5	250	1.51	MB/EC	C204□□-C11-D□□□-□□100□4B22AL□-D□□□□-0□□
2.2	1455	110	190	C13	12.5	13.2	270	1.42	MB/EC	C204□□-C13-D□□□-□□100□4B22AL□-D□□□□-0□□
2.2	1455	100	209	C14	14	14.5	270	1.29	MB/EC	C204□□-C14-D□□□-□□100□4B22AL□-D□□□□-0□□
2.2	1455	88.7	236	C16	16	16.4	300	1.27	MB/EC	C204□□-C16-D□□□-□□100□4B22AL□-D□□□□-0□□
2.2	1455	83.1	252	C18	18	17.5	300	1.19	MB/EC	C204□□-C18-D□□□-□□100□4B22AL□-D□□□□-0□□
2.2	1455	75.4	278	C20	20	19.3	300	1.08	MB/EC	C304□□-C20-D□□□-□□100□4B22AL□-D□□□□-0□□
2.2	1455	66.7	314	C22	22.4	21.8	300	0.96	MB/EC	C304□□-C22-D□□□-□□100□4B22AL□-D□□□□-0□□
2.2	1455	58.4	359	C25	25	24.9	300	0.84	MB/EC	C304□□-C25-D□□□-□□100□4B22AL□-D□□□□-0□□
2.2	1455	77.8	269	C18	18	18.7	430	1.6	MB/EC	C205□□-C18-D□□□-□□100□4B22AL□-D□□□□-0□□
2.2	1455	73.1	287	C20	20	19.9	430	1.5	MB/EC	C205□□-C20-D□□□-□□100□4B22AL□-D□□□□-0□□
2.2	1455	65	323	C22	22.4	22.4	470	1.46	MB/EC	C305□□-C22-D□□□-□□100□4B22AL□-D□□□□-0□□
2.2	1455	57.7	363	C25	25	25.2	470	1.29	MB/EC	C305□□-C25-D□□□-□□100□4B22AL□-D□□□□-0□□
2.2	1455	51.2	409	C28	28	28.4	470	1.15	MB/EC	C305□□-C28-D□□□-□□100□4B22AL□-D□□□□-0□□
2.2	1455	46.2	454	C32	31.5	31.5	470	1.04	MB/EC	C305□□-C32-D□□□-□□100□4B22AL□-D□□□□-0□□
2.2	1455	40.3	520	C36	35.5	36.1	480	0.92	MB/EC	C305□□-C36-D□□□-□□100□4B22AL□-D□□□□-0□□
2.2	1455	36.6	572	C40	40	39.7	480	0.84	MB/EC	C305□□-C40-D□□□-□□100□4B22AL□-D□□□□-0□□
2.2	1455	53.3	393	C28	28	27.3	650	1.65	MB/EC	C306□□-C28-D□□□-□□100□4B22AL□-D□□□□-0□□
2.2	1455	47.2	444	C32	31.5	30.8	650	1.46	MB/EC	C306□□-C32-D□□□-□□100□4B22AL□-D□□□□-0□□
2.2	1455	42.5	492	C36	35.5	34.2	650	1.32	MB/EC	C306□□-C36-D□□□-□□100□4B22AL□-D□□□□-0□□
2.2	1455	37.1	564	C40	40	39.2	650	1.15	MB/EC	C306□□-C40-D□□□-□□100□4B22AL□-D□□□□-0□□
2.2	1455	33.8	619	C45	45	43.0	650	1.05	MB/EC	C306□□-C45-D□□□-□□100□4B22AL□-D□□□□-0□□
2.2	1455	30.1	696	C50	50	48.3	650	0.93	MB/EC	C306□□-C50-D□□□-□□100□4B22AL□-D□□□□-0□□
2.2	1455	26.6	786	C56	56	54.6	650	0.83	MB/EC	C306□□-C56-D□□□-□□100□4B22AL□-D□□□□-0□□
2.2	1455	38.3	547	C40	40	38.0	900	1.65	MB/EC	C307□□-C40-D□□□-□□100□4B22AL□-D□□□□-0□□
2.2	1455	33.4	628	C45	45	43.6	900	1.43	MB/EC	C307□□-C45-D□□□-□□100□4B22AL□-D□□□□-0□□
2.2	1455	29.4	713	C50	50	49.5	900	1.26	MB/EC	C307□□-C50-D□□□-□□100□4B22AL□-D□□□□-0□□
2.2	1455	26.3	798	C56	56	55.4	900	1.13	MB/EC	C307□□-C56-D□□□-□□100□4B22AL□-D□□□□-0□□
2.2	1455	23.6	888	C63	63	61.7	900	1.01	MB/EC	C307□□-C63-D□□□-□□100□4B22AL□-D□□□□-0□□
2.2	1455	21.5	976	C71	71	67.8	900	0.92	MB/EC	C307□□-C71-D□□□-□□100□4B22AL□-D□□□□-0□□
2.2	1455	18.9	1109	C80	80	77.0	900	0.81	MB/EC	C307□□-C80-D□□□-□□100□4B22AL□-D□□□□-0□□
2.2	1455	22.8	919	C63	63	63.8	1800	1.96	MB/EC	C308□□-C63-D□□□-□□100□4B22AL□-D□□□□-0□□
2.2	1455	20.3	1032	C71	71	71.7	1800	1.74	MB/EC	C308□□-C71-D□□□-□□100□4B22AL□-D□□□□-0□□
2.2	1455	18.1	1155	C80	80	80.2	1800	1.56	MB/EC	C308□□-C80-D□□□-□□100□4B22AL□-D□□□□-0□□
2.2	1455	16.3	1286	C90	90	89.3	1800	1.4	MB/EC	C308□□-C90-D□□□-□□100□4B22AL□-D□□□□-0□□
2.2	1455	14.9	1408	D10	100	97.8	1800	1.28	MB/EC	C308□□-D10-D□□□-□□100□4B22AL□-D□□□□-0□□
2.2	1455	13.7	1532	D11	112	106.4	1800	1.17	MB/EC	C308□□-D11-D□□□-□□100□4B22AL□-D□□□□-0□□
2.2	1455	12.2	1722	D13	125	119.6	1800	1.05	MB/EC	C308□□-D13-D□□□-□□100□4B22AL□-D□□□□-0□□
2.2	1455	11.1	1886	D14	140	131.0	1800	0.95	MB/EC	C308□□-D14-D□□□-□□100□4B22AL□-D□□□□-0□□
2.2	1455	9.5	2215	D16	160	153.8	1800	0.81	MB/EC	C308□□-D16-D□□□-□□100□4B22AL□-D□□□□-0□□

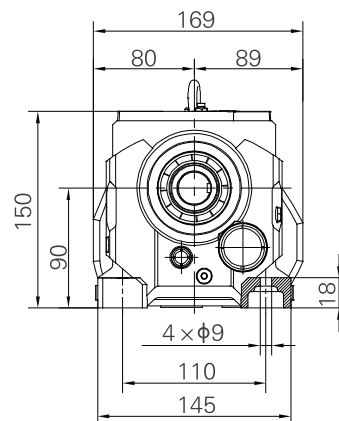
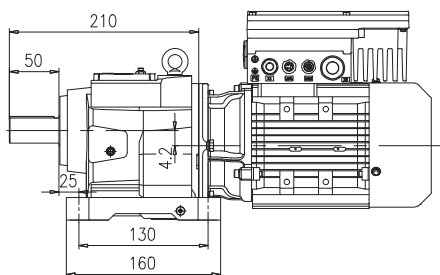
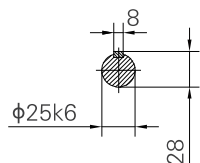
马达 额定功率	马达 额定转速	减速机实际 输出转速	减速机实际 输出扭矩	减速机公称 减速比代号	减速机公称 减速比	减速机精确 减速比	减速机额定 输出扭矩	服务系数	通讯方式	订货号
Motor Rated Power	Motor Rated Speed	Actual Output Speed of Gearmotor	Actual Output Torque of Gearmotor	Nominal Ratio Code of Gearmotor	Nominal Ratio of Gearmotor	Exact Ratio of Gearmotor	Normal Output Torque of Gearmotor	Service Coefficient	Communication Mode	Order Code
P _{1N} (kw)	n _{1N} (r/min)	n _{2N} (r/min)	T ₂ (N.m)	Code	i _N	i _{ex}	T _{2N} (N.m)	f		
3	1455	360	80	B40	4	4.04	130	1.63	MB/EC	C203□□-B40-D□□□-□□100□4B30AL□-D□□□□-0□□
3	1455	319	90	B45	4.5	4.56	140	1.56	MB/EC	C203□□-B45-D□□□-□□100□4B30AL□-D□□□□-0□□
3	1455	287	100	B50	5	5.07	150	1.5	MB/EC	C203□□-B50-D□□□-□□100□4B30AL□-D□□□□-0□□
3	1455	250	114	B56	5.6	5.81	160	1.4	MB/EC	C203□□-B56-D□□□-□□100□4B30AL□-D□□□□-0□□
3	1455	230	125	B63	6.3	6.32	170	1.36	MB/EC	C203□□-B63-D□□□-□□100□4B30AL□-D□□□□-0□□
3	1455	205	140	B71	7.1	7.10	190	1.36	MB/EC	C203□□-B71-D□□□-□□100□4B30AL□-D□□□□-0□□
3	1455	181	158	B80	8	8.02	190	1.2	MB/EC	C203□□-B80-D□□□-□□100□4B30AL□-D□□□□-0□□
3	1455	163	175	B90	9	8.90	190	1.09	MB/EC	C203□□-B90-D□□□-□□100□4B30AL□-D□□□□-0□□
3	1455	143	201	C10	10	10.2	200	1	MB/EC	C203□□-C10-D□□□-□□100□4B30AL□-D□□□□-0□□
3	1455	130	221	C11	11.2	11.2	200	0.9	MB/EC	C203□□-C11-D□□□-□□100□4B30AL□-D□□□□-0□□
3	1455	115	248	C13	12.5	12.6	200	0.81	MB/EC	C203□□-C13-D□□□-□□100□4B30AL□-D□□□□-0□□
3	1455	217	132	B63	6.3	6.70	220	1.67	MB/EC	C204□□-B63-D□□□-□□100□4B30AL□-D□□□□-0□□
3	1455	197	145	B71	7.1	7.37	220	1.52	MB/EC	C204□□-B71-D□□□-□□100□4B30AL□-D□□□□-0□□
3	1455	177	162	B80	8	8.20	235	1.45	MB/EC	C204□□-B80-D□□□-□□100□4B30AL□-D□□□□-0□□
3	1455	158	181	B90	9	9.21	250	1.38	MB/EC	C204□□-B90-D□□□-□□100□4B30AL□-D□□□□-0□□
3	1455	140	205	C10	10	10.4	250	1.22	MB/EC	C204□□-C10-D□□□-□□100□4B30AL□-D□□□□-0□□
3	1455	127	227	C11	11.2	11.5	250	1.1	MB/EC	C204□□-C11-D□□□-□□100□4B30AL□-D□□□□-0□□
3	1455	110	260	C13	12.5	13.2	270	1.04	MB/EC	C204□□-C13-D□□□-□□100□4B30AL□-D□□□□-0□□
3	1455	100	286	C14	14	14.5	270	0.94	MB/EC	C204□□-C14-D□□□-□□100□4B30AL□-D□□□□-0□□
3	1455	88.7	323	C16	16	16.4	300	0.93	MB/EC	C204□□-C16-D□□□-□□100□4B30AL□-D□□□□-0□□
3	1455	83.1	345	C18	18	17.5	300	0.87	MB/EC	C204□□-C18-D□□□-□□100□4B30AL□-D□□□□-0□□
3	1455	121	236	C13	12.5	12.0	430	1.82	MB/EC	C205□□-C13-D□□□-□□100□4B30AL□-D□□□□-0□□
3	1455	97	296	C14	14	15.0	430	1.45	MB/EC	C205□□-C14-D□□□-□□100□4B30AL□-D□□□□-0□□
3	1455	88.7	323	C16	16	16.4	430	1.33	MB/EC	C205□□-C16-D□□□-□□100□4B30AL□-D□□□□-0□□
3	1455	77.8	368	C18	18	18.7	430	1.17	MB/EC	C205□□-C18-D□□□-□□100□4B30AL□-D□□□□-0□□
3	1455	73.1	392	C20	20	19.9	430	1.1	MB/EC	C205□□-C20-D□□□-□□100□4B30AL□-D□□□□-0□□
3	1455	65	441	C22	22.4	22.4	470	1.07	MB/EC	C305□□-C22-D□□□-□□100□4B30AL□-D□□□□-0□□
3	1455	57.7	496	C25	25	25.2	470	0.95	MB/EC	C305□□-C25-D□□□-□□100□4B30AL□-D□□□□-0□□
3	1455	51.2	559	C28	28	28.4	470	0.84	MB/EC	C305□□-C28-D□□□-□□100□4B30AL□-D□□□□-0□□
3	1455	83.6	343	C18	18	17.4	550	1.6	MB/EC	C206□□-C18-D□□□-□□100□4B30AL□-D□□□□-0□□
3	1455	76.6	374	C20	20	19.0	550	1.47	MB/EC	C206□□-C20-D□□□-□□100□4B30AL□-D□□□□-0□□
3	1455	67.4	426	C22	22.4	21.6	600	1.41	MB/EC	C206□□-C22-D□□□-□□100□4B30AL□-D□□□□-0□□
3	1455	59.9	479	C25	25	24.3	650	1.36	MB/EC	C306□□-C25-D□□□-□□100□4B30AL□-D□□□□-0□□
3	1455	53.3	538	C28	28	27.3	650	1.21	MB/EC	C306□□-C28-D□□□-□□100□4B30AL□-D□□□□-0□□
3	1455	47.2	607	C32	31.5	30.8	650	1.07	MB/EC	C306□□-C32-D□□□-□□100□4B30AL□-D□□□□-0□□
3	1455	42.5	674	C36	35.5	34.2	650	0.96	MB/EC	C306□□-C36-D□□□-□□100□4B30AL□-D□□□□-0□□
3	1455	37.1	772	C40	40	39.2	650	0.84	MB/EC	C306□□-C40-D□□□-□□100□4B30AL□-D□□□□-0□□
3	1455	51.4	558	C28	28	28.3	900	1.61	MB/EC	C307□□-C28-D□□□-□□100□4B30AL□-D□□□□-0□□
3	1455	44.9	638	C32	31.5	32.4	900	1.41	MB/EC	C307□□-C32-D□□□-□□100□4B30AL□-D□□□□-0□□
3	1455	39.4	727	C36	35.5	36.9	900	1.24	MB/EC	C307□□-C36-D□□□-□□100□4B30AL□-D□□□□-0□□
3	1455	38.3	749	C40	40	38.0	900	1.2	MB/EC	C307□□-C40-D□□□-□□100□4B30AL□-D□□□□-0□□
3	1455	33.4	859	C45	45	43.6	900	1.05	MB/EC	C307□□-C45-D□□□-□□100□4B30AL□-D□□□□-0□□
3	1455	29.4	975	C50	50	49.5	900	0.92	MB/EC	C307□□-C50-D□□□-□□100□4B30AL□-D□□□□-0□□
3	1455	26.3	1091	C56	56	55.4	900	0.82	MB/EC	C307□□-C56-D□□□-□□100□4B30AL□-D□□□□-0□□
3	1455	33.1	867	C45	45	44.0	1800	2.08	MB/EC	C308□□-C45-D□□□-□□100□4B30AL□-D□□□□-0□□
3	1455	29	987	C50	50	50.1	1800	1.82	MB/EC	C308□□-C50-D□□□-□□100□4B30AL□-D□□□□-0□□
3	1455	26.2	1095	C56	56	55.6	1800	1.64	MB/EC	C308□□-C56-D□□□-□□100□4B30AL□-D□□□□-0□□
3	1455	22.8	1257	C63	63	63.8	1800	1.43	MB/EC	C308□□-C63-D□□□-□□100□4B30AL□-D□□□□-0□□
3	1455	20.3	1412	C71	71	71.7	1800	1.27	MB/EC	C308□□-C71-D□□□-□□100□4B30AL□-D□□□□-0□□
3	1455	18.1	1580	C80	80	80.2	1800	1.14	MB/EC	C308□□-C80-D□□□-□□100□4B30AL□-D□□□□-0□□
3	1455	16.3	1759	C90	90	89.3	1800	1.02	MB/EC	C308□□-C90-D□□□-□□100□4B30AL□-D□□□□-0□□
3	1455	14.9	1927	D10	100	97.8	1800	0.93	MB/EC	C308□□-D10-D□□□-□□100□4B30AL□-D□□□□-0□□
3	1455	13.7	2096	D11	112	106.4	1800	0.86	MB/EC	C308□□-D11-D□□□-□□100□4B30AL□-D□□□□-0□□

6.外形尺寸图 (mm)

6.Dimensions (mm)

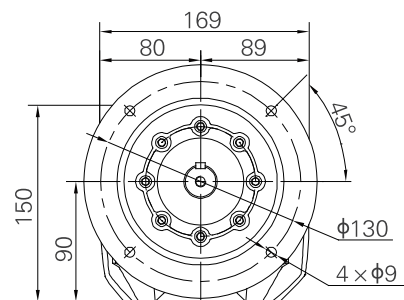
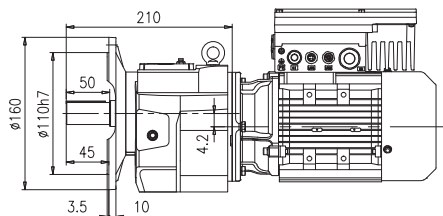
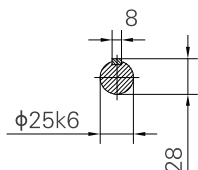
C203/C303

**C203H
C303H**



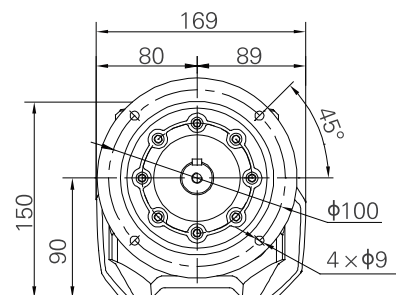
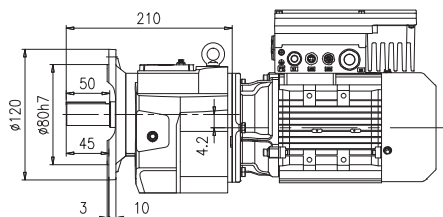
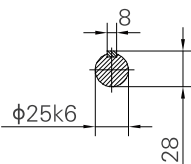
Horizontal foot-mounted

**C203F
C303F**



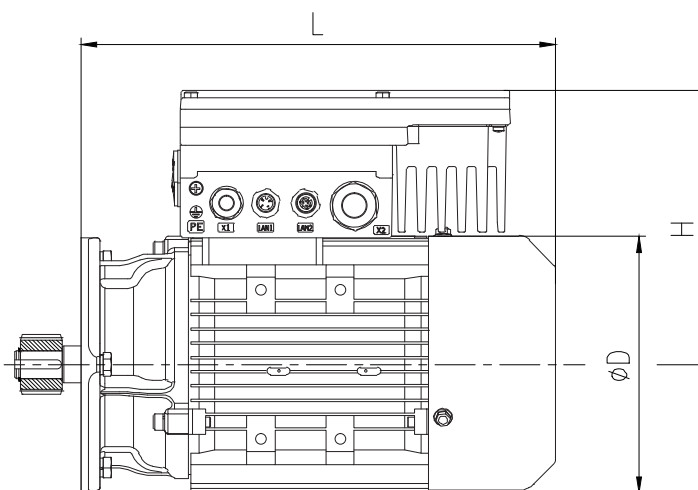
Flange-mounted

**C203S
C303S**



Short flange-mounted

Dimensions for Corresponding Gearmotor Variable Frequency Drive All-in-one of C203/C303

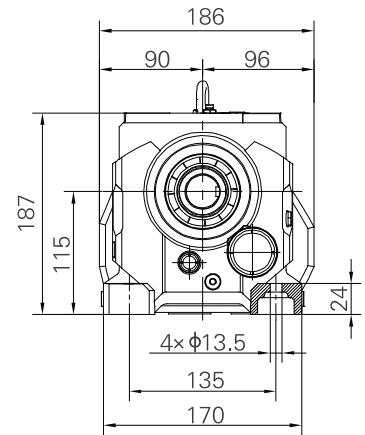
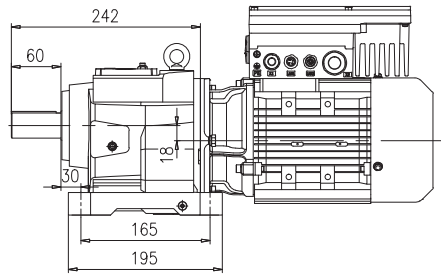
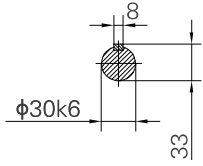


Dimension Data of Gearmotor Variable Frequency Drive All-in-one (mm) 50Hz-1500r/min

Power of 4 pole type (kW)	Range of Ratio	MH			MP		
		L	D	H	L	D	H
0.25	4-90	223	138	151.5	223	138	151.5
0.37	4-90	223	138	151.5	223	138	151.5
0.55	4-71	299	159	173	299	159	173
0.75	4-50	299	159	173	299	159	173
1.1	4-35.5	321	176	188.5	321	176	188.5
1.5	4-25	321	176	188.5	346	176	188.5
2.2	4-18	394	198	191	394	198	191
3	4-12.5	394	198	191	394	198	191

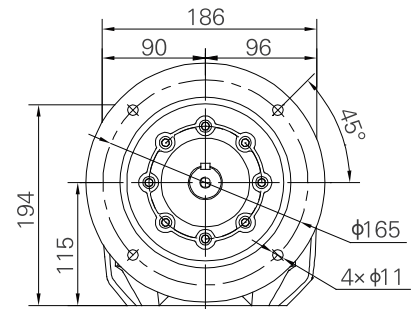
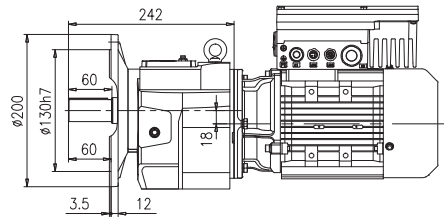
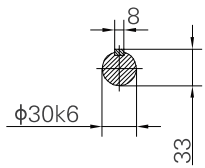
C204/C304

**C204H
C304H**



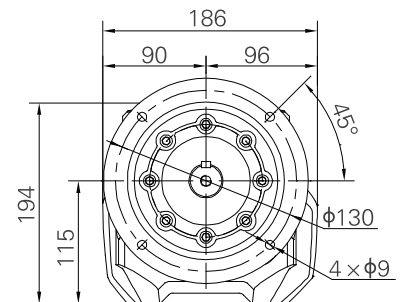
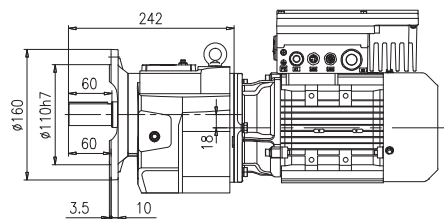
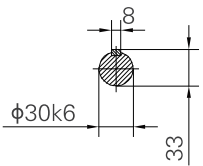
Horizontal foot-mounted

**C204F
C304F**



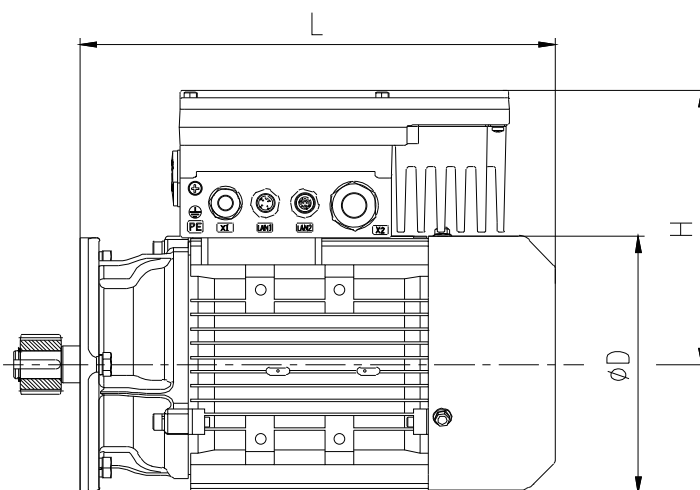
Flange-mounted

**C204S
C304S**



Short flange-mounted

Dimensions for Corresponding Gearmotor Variable Frequency Drive All-in-one of C204/C304

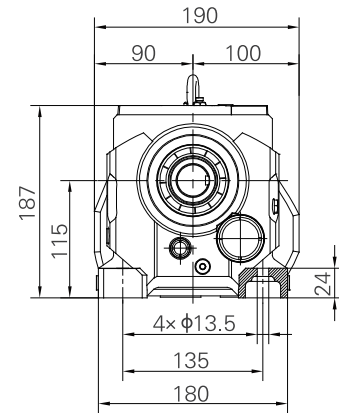
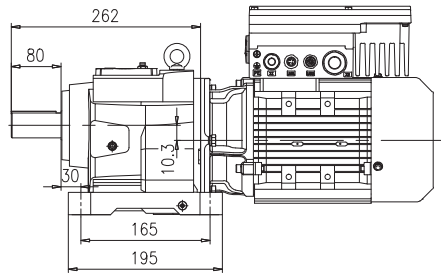
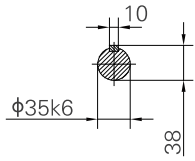


Dimension Data of Gearmotor Variable Frequency Drive All-in-one (mm) 50Hz-1500r/min

Power of 4 pole type (kW)	Range of Ratio	MH			MP		
		L	D	H	L	D	H
0.37	71-125	224	138	151.5	224	138	151.5
0.55	50-100	300	159	173	300	159	173
0.75	40-71	300	159	173	300	159	173
1.1	25-50	323	176	188.5	323	176	188.5
1.5	20-40	323	176	188.5	348	176	188.5
2.2	10-25	395	198	191	395	198	191
3	6.3-18	395	198	191	395	198	191

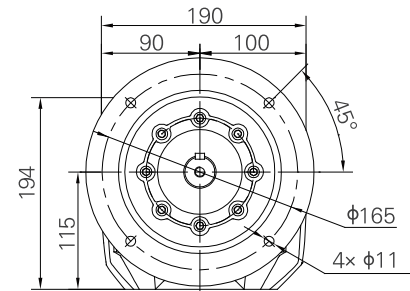
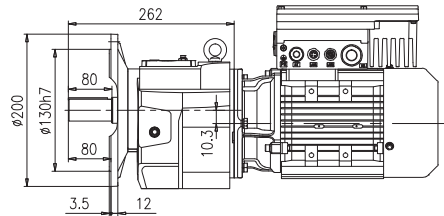
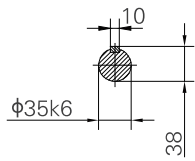
C205/C305

**C205H
C305H**



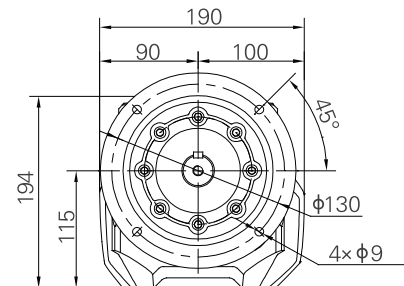
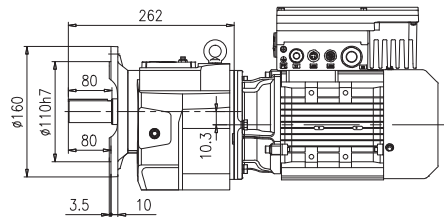
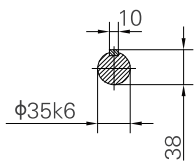
Horizontal foot-mounted

**C205F
C305F**



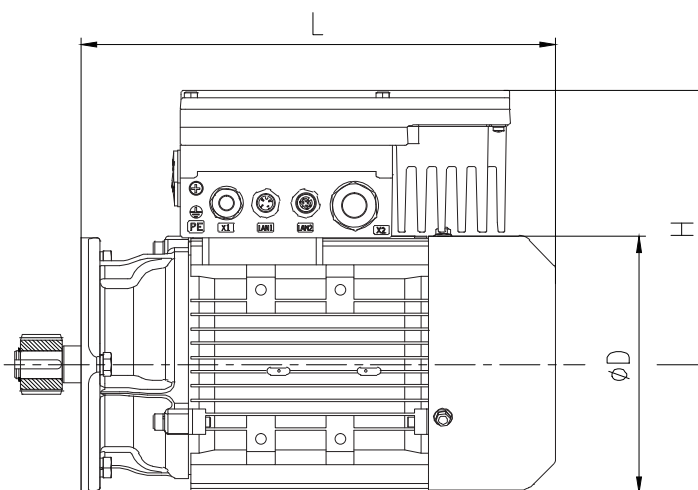
Flange-mounted

**C205S
C305S**



Short flange-mounted

Dimensions for Corresponding Gearmotor Variable Frequency Drive All-in-one of C205/C305

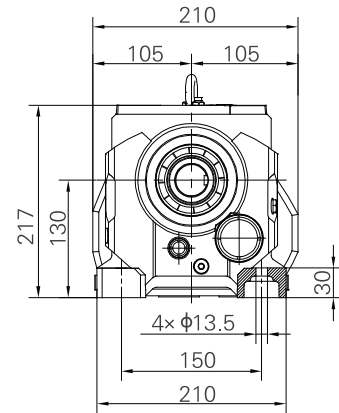
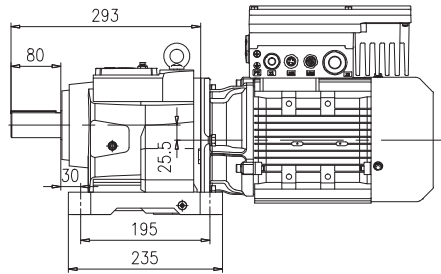
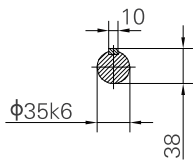


Dimension Data of Gearmotor Variable Frequency Drive All-in-one (mm) 50Hz-1500r/min

Power of 4 pole type (kW)	Range of Ratio	MH			MP		
		L	D	H	L	D	H
0.55	80-140	300	159	173	300	159	173
0.75	56-112	300	159	173	300	159	173
1.1	40-80	323	176	188.5	323	176	188.5
1.5	28-56	323	176	188.5	348	176	188.5
2.2	18-40	395	198	191	395	198	191
3	12.5-28	395	198	191	395	198	191

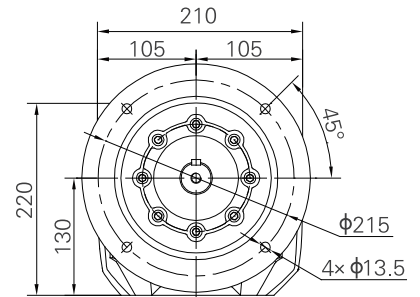
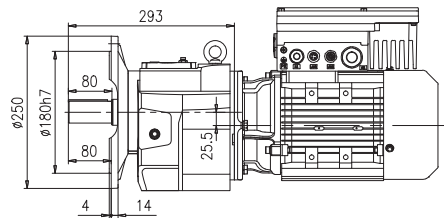
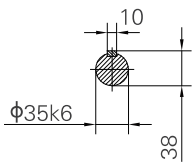
C206/C306

**C206H
C306H**



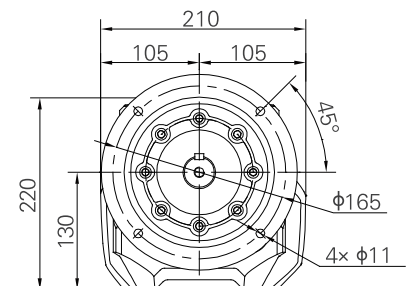
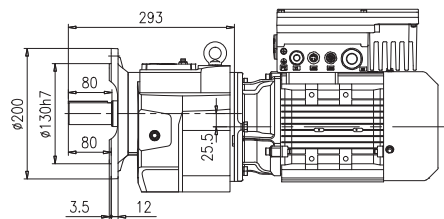
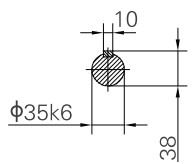
Horizontal foot-mounted

**C206F
C306F**



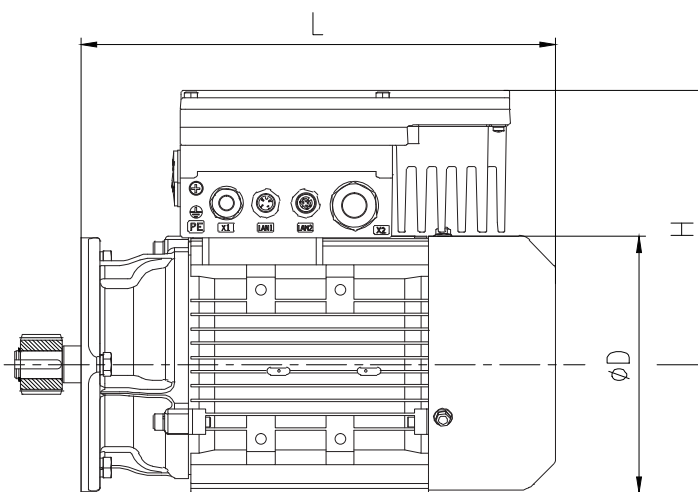
Flange-mounted

**C206S
C306S**



Short flange-mounted

Dimensions for Corresponding Gearmotor Variable Frequency Drive All-in-one of C206/C306

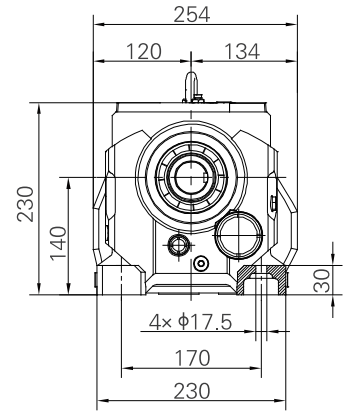
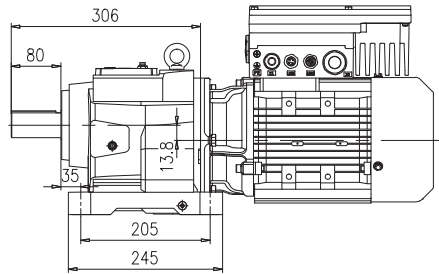
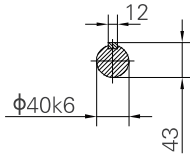


Dimension Data of Gearmotor Variable Frequency Drive All-in-one (mm) 50Hz-1500r/min

Power of 4 pole type (kW)	Range of Ratio	MH			MP		
		L	D	H	L	D	H
0.55	112-160	300	159	173	300	159	173
0.75	90-160	300	159	173	300	159	173
1.1	56-100	323	176	188.5	323	176	188.5
1.5	40-90	323	176	188.5	348	176	188.5
2.2	28-56	395	198	191	395	198	191
3	18-40	395	198	191	395	198	191

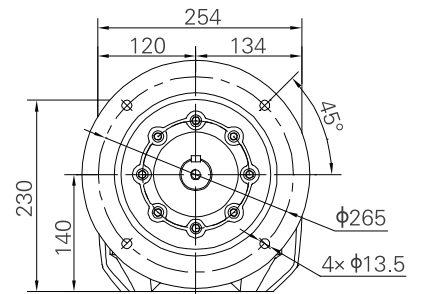
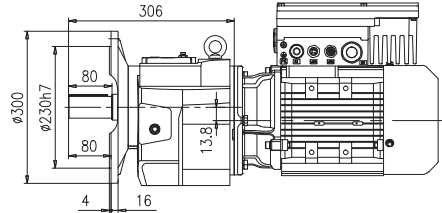
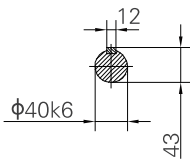
C207/C307

**C207H
C307H**



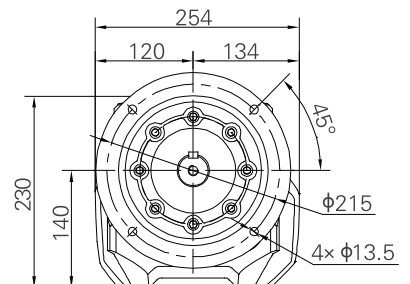
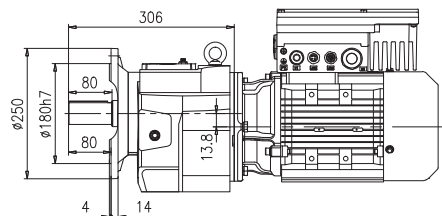
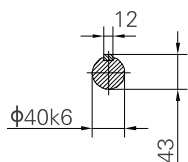
Horizontal foot-mounted

**C207F
C307F**



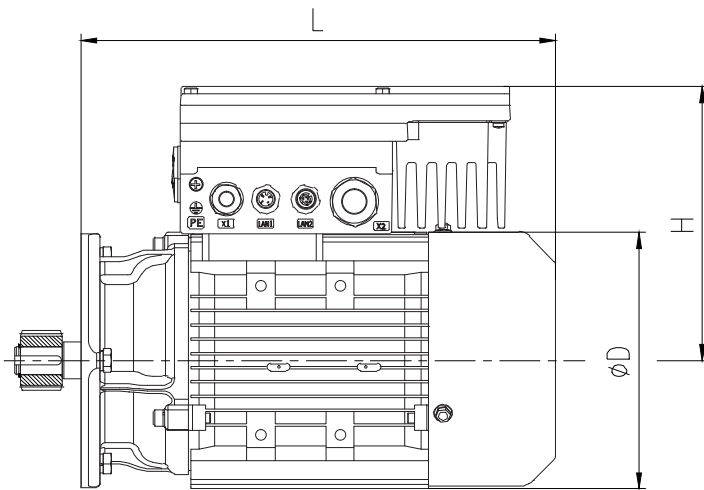
Flange-mounted

**C207S
C307S**



Short flange-mounted

Dimensions for Corresponding Gearmotor Variable Frequency Drive All-in-one of C207/C307

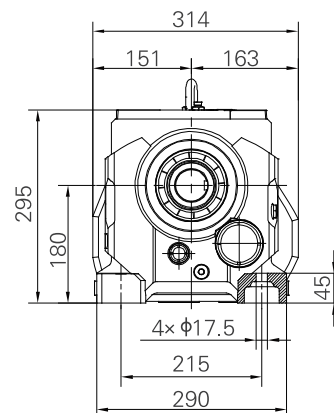
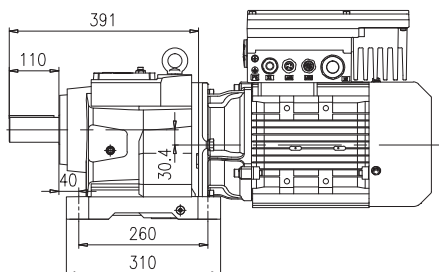
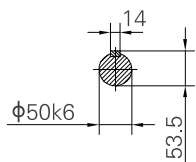


Dimension Data of Gearmotor Variable Frequency Drive All-in-one (mm) 50Hz-1500r/min

Power of 4 pole type (kW)	Range of Ratio	MH			MP		
		L	D	H	L	D	H
0.75	112-180	292	159	173	292	159	173
1.1	80-100	314	176	188.5	314	176	188.5
1.5	56-100	314	176	188.5	339	176	188.5
2.2	40-80	387	198	191	387	198	191
3	28-56	387	198	191	387	198	191

C208/C308

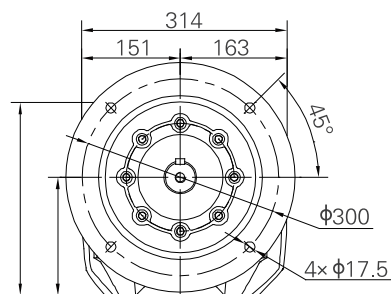
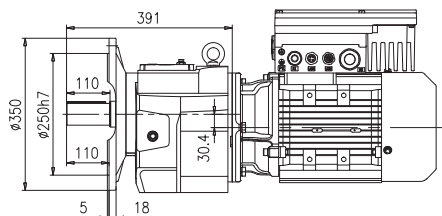
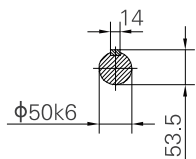
**C208H
C308H**



Horizontal foot-mounted

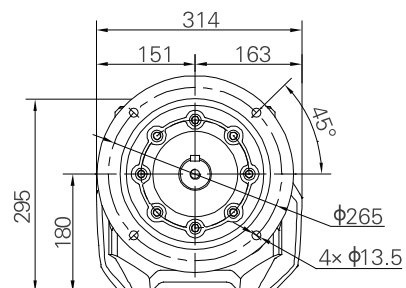
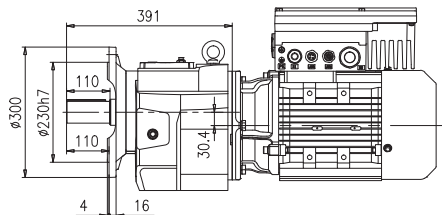
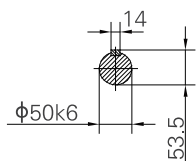
Power of 4 pole type

**C208F
C308F**



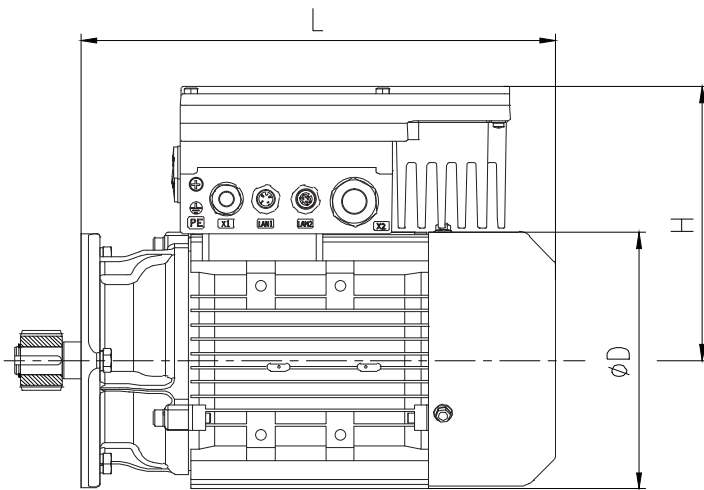
Flange-mounted

**C208S
C308S**



Short flange-mounted

Dimensions for Corresponding Gearmotor Variable Frequency Drive All-in-one of C208/C308

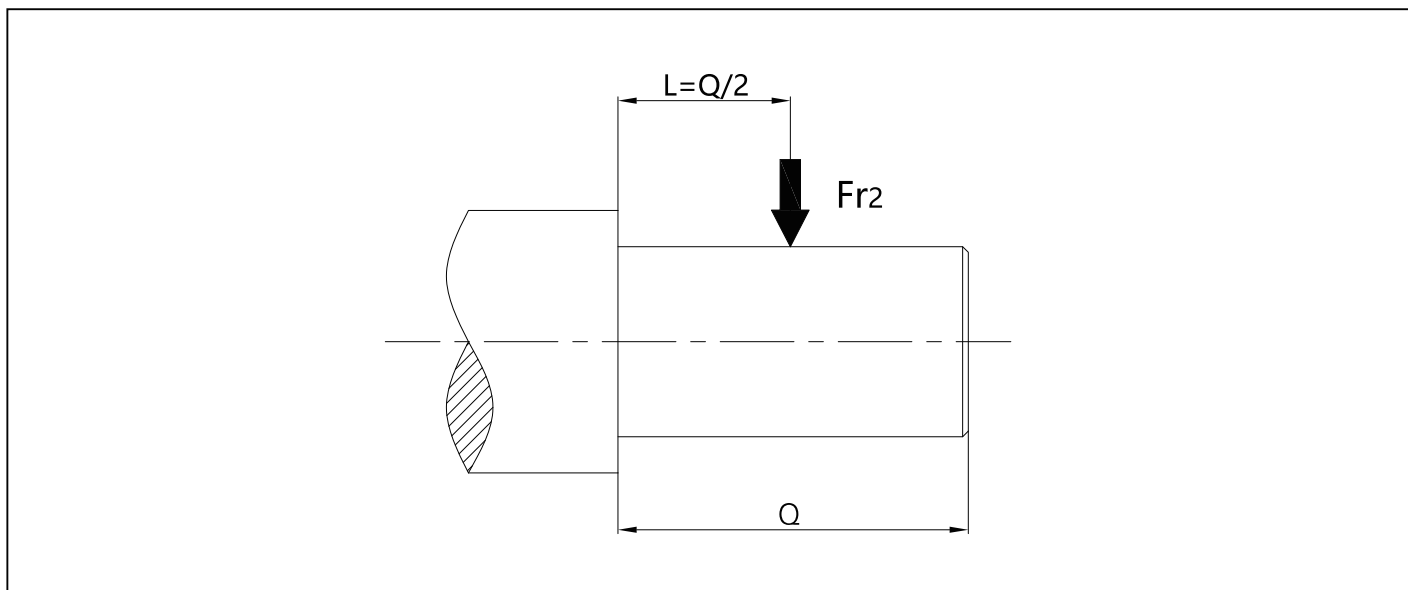


Dimension Data of Gearmotor Variable Frequency Drive All-in-one (mm) 50Hz-1500r/min

Power of 4 pole type (kW)	Range of Ratio	MH			MP		
		L	D	H	L	D	H
1.5	90-160	305	176	188.5	330	176	188.5
2.2	63-160	378	198	191	378	198	191
3	45-112	378	198	191	378	198	191

7. 允许的输出轴径向力Fr2(N)

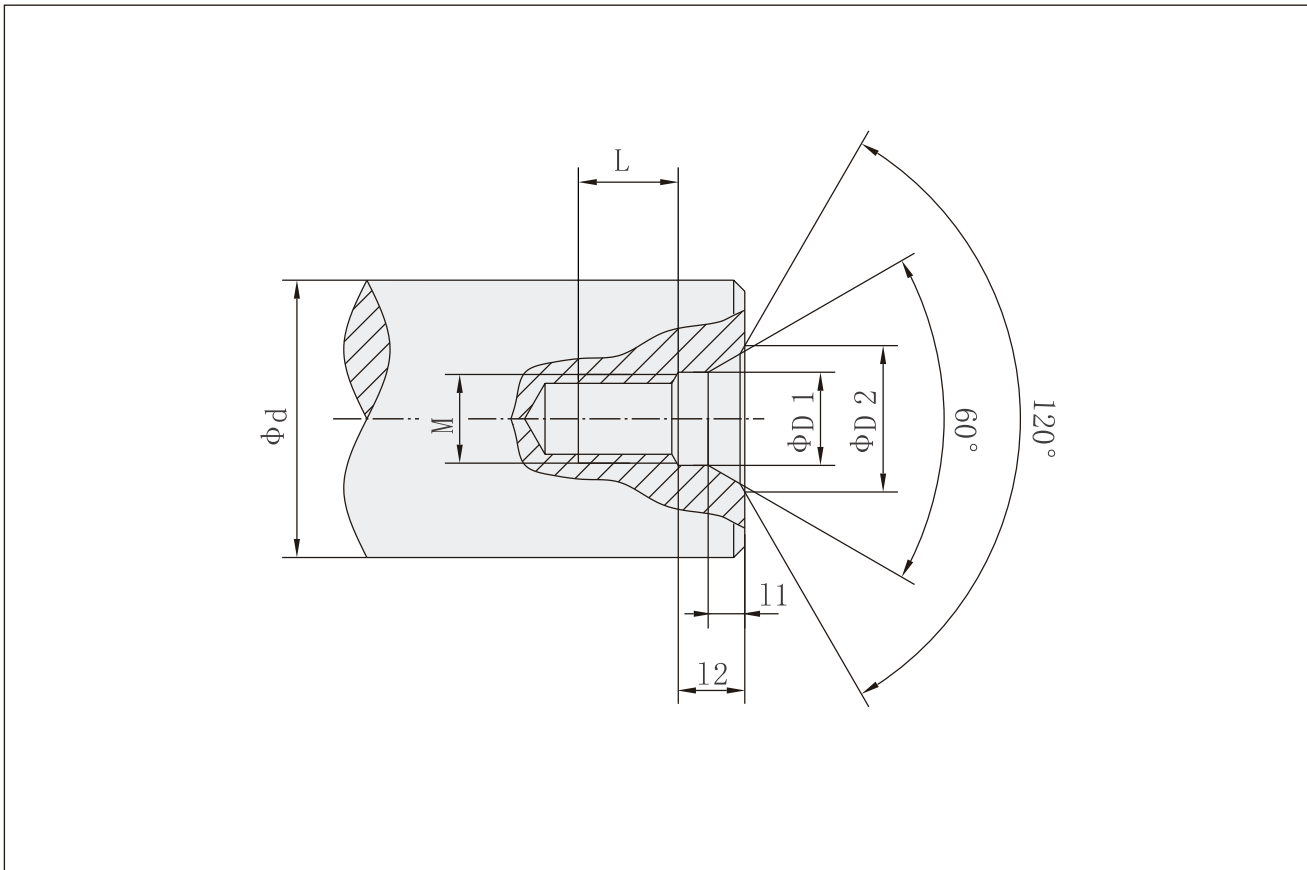
7. Permissible Radial Force of Output Shaft Fr2(N)



n 2N (r/min)	Fr2 (N)					
	C203 C303	C204 C304	C205 C305	C206 C306	C207 C307	C208 C308
355~500	/	/	/	/	/	/
250~355	684	2052	3102	4689	6096	8082
224~250	711	2223	3344	5031	6540	8505
200~224	900	2358	3505	5211	6774	8802
180~224	1548	2448	3584	5247	6821	9180
160~180	1548	2502	3663	5364	6973	9450
125~160	1638	2601	3859	5724	5841	9720
112~125	1629	2772	4073	5985	6066	10260
100~112	1692	2840	4174	6134	6206	10490
90~100	1809	2907	4273	6282	6651	10890
80~90	2151	3033	4433	6480	6858	11340
71~80	2313	3177	4537	6480	7182	11700
63~71	2313	3258	4585	6453	7425	11970
56~63	3474	3543	4936	6876	9090	12510
45~56	3402	3645	5075	7065	9009	12510
40~45	3708	4221	5461	7065	8928	14400
35.5~40	4086	4167	5314	6777	8928	15120
31.5~35.5	4374	4437	5351	6453	8928	15210
28~31.5	4455	4635	5469	6453	8928	15210
25~28	4455	4815	5574	6453	8928	12150
22.4~25	4455	4878	5611	6453	8928	13680
≤22.4	4455	4878	5611	6453	8928	14220

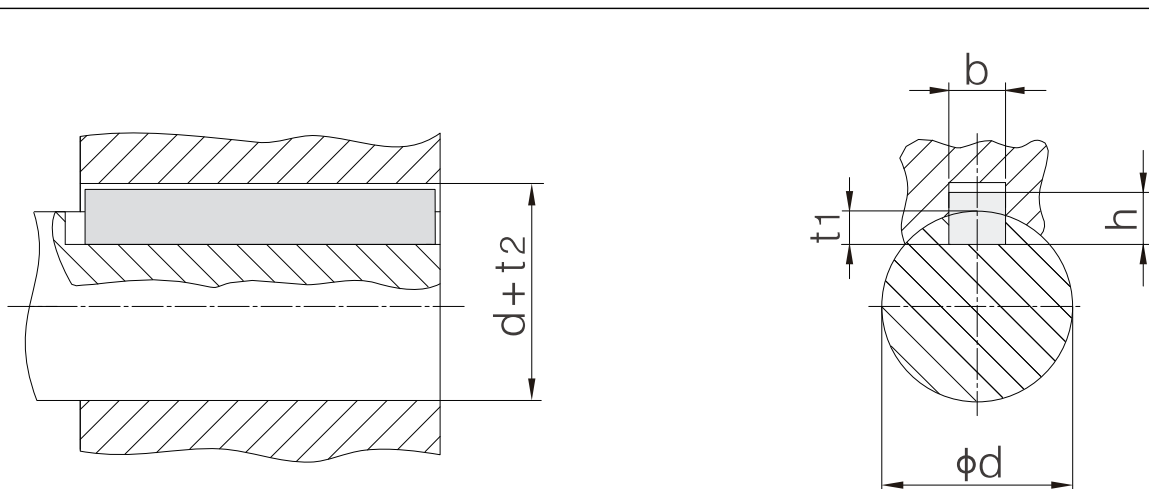
8.轴端C型螺纹中心孔

8.Type C screw central hole in shaft end



d	M	L	12	11	D1	D2
$7 < d \leq 10$	M3	10	2.6	1.8	3.2	5.8
$10 < d \leq 13$	M4	10	3.2	2.1	4.3	7.4
$13 < d \leq 16$	M5	10	4	2.4	5.3	8.8
$16 < d \leq 21$	M6	12	5	2.8	6.4	10.5
$21 < d \leq 24$	M8	12	6	3.3	8.4	13.2
$24 < d \leq 30$	M10	15	7.5	3.8	10.5	16.3
$30 < d \leq 38$	M12	20	9.5	4.4	13	19.8
$38 < d \leq 50$	M16	25	12	5.2	17	25.3
$50 < d \leq 85$	M20	30	15	6.4	21	31.3
$85 < d \leq 130$	M24	35	18	8	25	38
$130 < d \leq 225$	M30	45	18	11	31	48

9.平键与键槽的尺寸(mm) 9. Dimension of Parallel Key and Keyway(mm)



d	b	h	t ₁	d + t ₂
8 < d ≤ 10	3	3	1.8	d + 1.4
10 < d ≤ 12	4	4	2.5	d + 1.8
12 < d ≤ 17	5	5	3	d + 2.3
17 < d ≤ 22	6	6	3.5	d + 2.8
22 < d ≤ 30	8	7	4	d + 3.3
30 < d ≤ 38	10	8	5	d + 3.3
38 < d ≤ 44	12	8	5	d + 3.3
44 < d ≤ 50	14	9	5.5	d + 3.8
50 < d ≤ 58	16	10	6	d + 4.3
58 < d ≤ 65	18	11	7	d + 4.4
65 < d ≤ 75	20	12	7.5	d + 4.9
75 < d ≤ 85	22	14	9	d + 5.4
85 < d ≤ 95	25	14	9	d + 5.4
95 < d ≤ 110	28	16	10	d + 6.4
110 < d ≤ 130	32	18	11	d + 7.4
130 < d ≤ 150	36	20	12	d + 8.4
150 < d ≤ 170	40	22	13	d + 9.4
170 < d ≤ 200	45	25	15	d + 10.4
200 < d ≤ 230	50	28	17	d + 11.4
230 < d ≤ 260	56	32	20	d + 12.4

10. 可选附件和指定配置

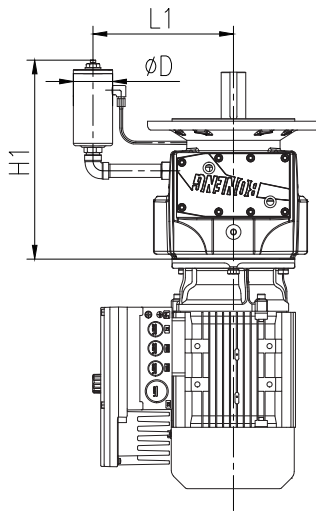
齿轮马达在以下工况时建议采用补偿油箱浸油润滑。

1. 在安装方位为D2时，出厂已配置补偿油箱；
2. 在安装方位为D4且长时间连续运转时，建议配置补偿油箱。

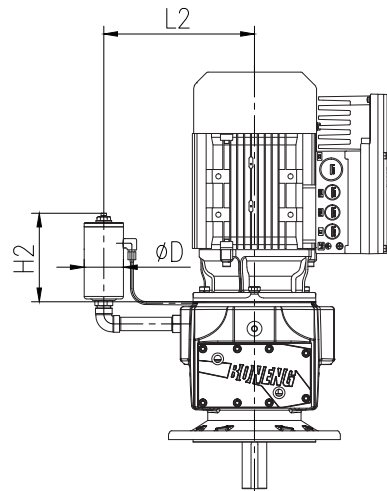
10. Accessories and Specific Configuration

Oil compensating tank lubrication is recommended for gearmotor under working conditions below.

1. Oil compensating tank has been equipped for gearmotors with D2 installation position before delivery;
2. Oil compensating tank is recommended for gearmotors with D4 installation position and long duration continuous operation.



D2



D4

	D	L1	H1	L2	H2
C203 C303	42	170	240	140	165
C204 C304	42	180	250	150	165
C205 C305	42	180	250	150	165
C206 C306	42	195	275	160	165
C207 C307	80	280	375	205	310
C208 C308	80	310	415	235	305

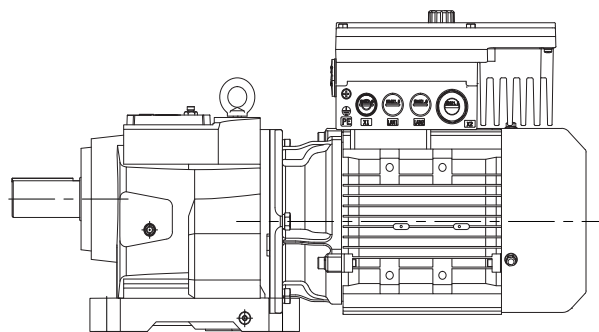
**11.不同安装方位的
润滑油用量 (L)**

**11.The oil quantities on dif-
ferent mounting positon (L)**

	D1	D2	D3	D4	D5	D6
C203 C303	0.4	1	1.1	1.2	0.9	1.1
C204 C304	1	1.1	1.1	1.1	1.8	1.7
C205 C305	1.5	1.7	1.8	1.8	2.6	2.5
C206 C306	2	2.3	2.4	2.5	3.3	3.2
C207 C307	2	2.9	2.8	3.1	3.6	3.5
C208 C308	3.9	6.4	5.5	6	7.8	7.5

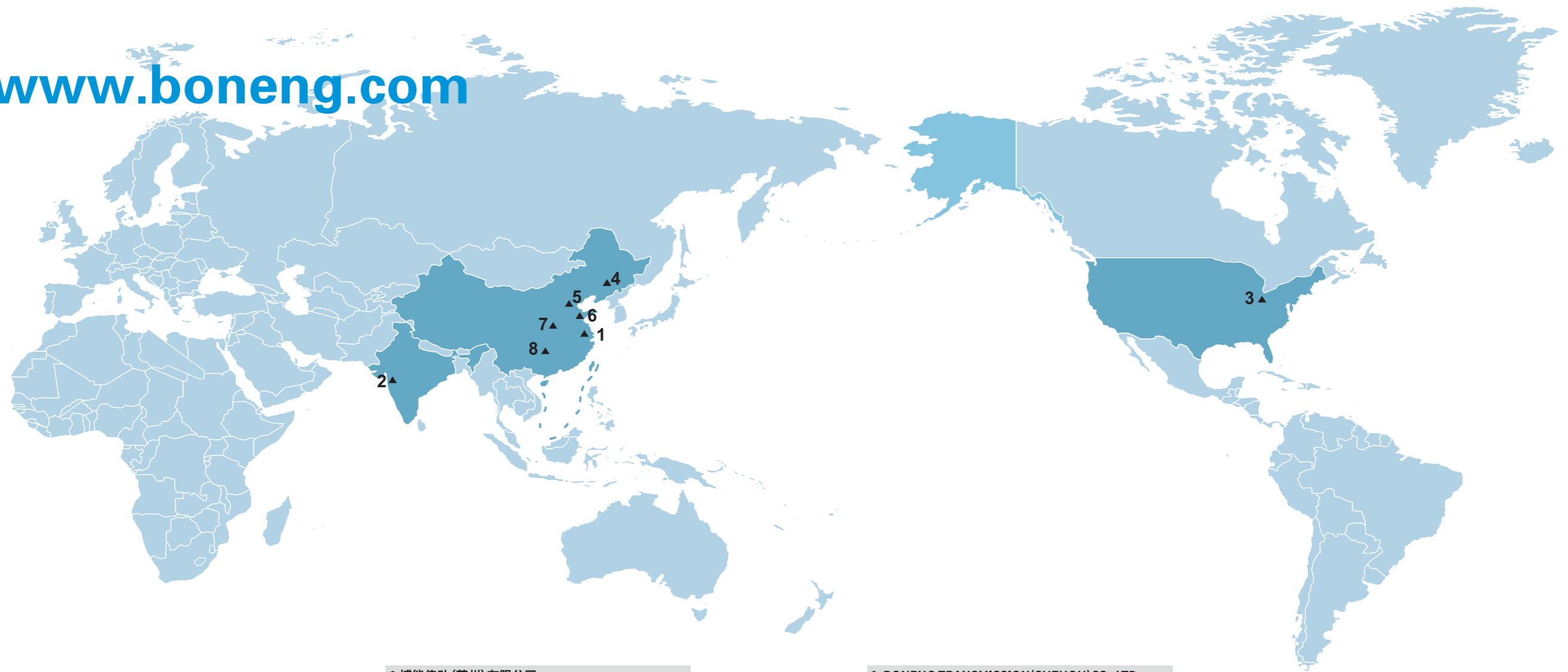
12.重量表

12. Weight



C203 C303	C204 C304	C205 C305	C206 C306	C207 C307	C208 C308			
9	15	20	27	36	66			
	071M	071M	080M	080M	090S	090M	100M	100M
	0.25	0.37	0.55	0.75	1.1	1.5	2.2	3
MH	8	9	14	15	18	19	30	33
MP	9	10	15	16	21	23	32	36

随着技术迭代进步，博能产品样本将会同步更新，请见谅。
Along with the technology advancedet.,the product of
the manual of Boneng will be changed,please forgive.



1 博能传动(苏州)有限公司
江苏省苏州市相城区如元路100号 215131
TEL: 0512-66189662

2 博能传动(印度)有限公司
Plot No. E-10/3, MIDC sinnar (Malegaon)
Industrial Area, Nashik, 422123,
Maharashtra, India.
TEL:+91-11- 4507 6293 (DELHI)
TEL:+91-22-2781 3385 (MUMBAI)

3 博能传动(美国)有限公司
1250 E 222nd Euclid, OH 44117,United Staes
TEL: 1-216-618-3099
TEL: 1-216-618-0138

4 博能传动(沈阳)有限公司
沈阳市沈北新区太平洋工业城A区A73-6号 110013
TEL: 024-31271571

5 博能传动(天津)有限公司
天津市北辰区双海道6号宏鹏工业园7号车间 300021
TEL: 022-26929556

6 博能传动(潍坊)有限公司
山东省潍坊市安丘市经济开发区汶水路与
昆仑大街交叉口往北100米路东1号车间 261000
TEL: 0536-2141166

7 博能传动(开封)有限公司
河南省开封市宋城路四大街11号海神机械院内五号厂房 475000
TEL: 0371-23335238

8 博能传动(长沙)有限公司
长沙市望城经济开发区普瑞大道1288号 410205
TEL: 0731-88386958

1 BONENG TRANSMISSION(SUZHOU)CO.,LTD.
No. 100, Ruyuan Road, Xiangcheng District,
Suzhou, Jiangsu Province, China 215131
TEL: 0512-66189662

2 BONENG TRANSMISSION(INDIA)PVT.LTD
Plot No. E-10/3, MIDC sinnar (Malegaon)
Industrial Area, Nashik, 422123,
Maharashtra, India.
TEL:+91-11- 4507 6293 (DELHI)
TEL:+91-22-2781 3385 (MUMBAI)

3 BONENG TRANSMISSION(USA)LLC.
1250 E 222nd Euclid, OH 44117,United Staes
TEL: 1-216-618-3099
TEL: 1-216-618-0138

4 BONENG TRANSMISSION(SHENYNG)CO.,LTD.
No. A73-6, Area A, Pacific Industrial City, Shenbei 110013
New District, Shenyang, Liaoning Province, China
TEL: 024-31271571

5 BONENG TRANSMISSION(TIANJIN)CO.,LTD.
7th Workshop, Hongpeng Industrial Park, No.6
Shuanghai Road, Beichen District, Tianjin City,China 300021
TEL: 022-26929556

6 BONENG TRANSMISSION(WEIFANG)CO.,LTD.
1st Workshop, Economic Development Zone, Anqiu, 261000
Weifang City, Shandong Province, China
TEL: 0536-2141166

7 BONENG TRANSMISSION(KAIFENG)CO.,LTD.
5th Workshop, Haishen Machinery, No.11, Fourth
Street, Songcheng Road,New District, Kaifeng City,
Henan Province, China 475000
TEL: 0371-23335238

8 BONENG TRANSMISSION(CHANGSHA)CO.,LTD.
No. 1288 Puri Avenue, Wangcheng Economic Development
Zone, Changsha City, Hunan Province, China 410205
TEL: 0731-88386958

BONENG

BONENG